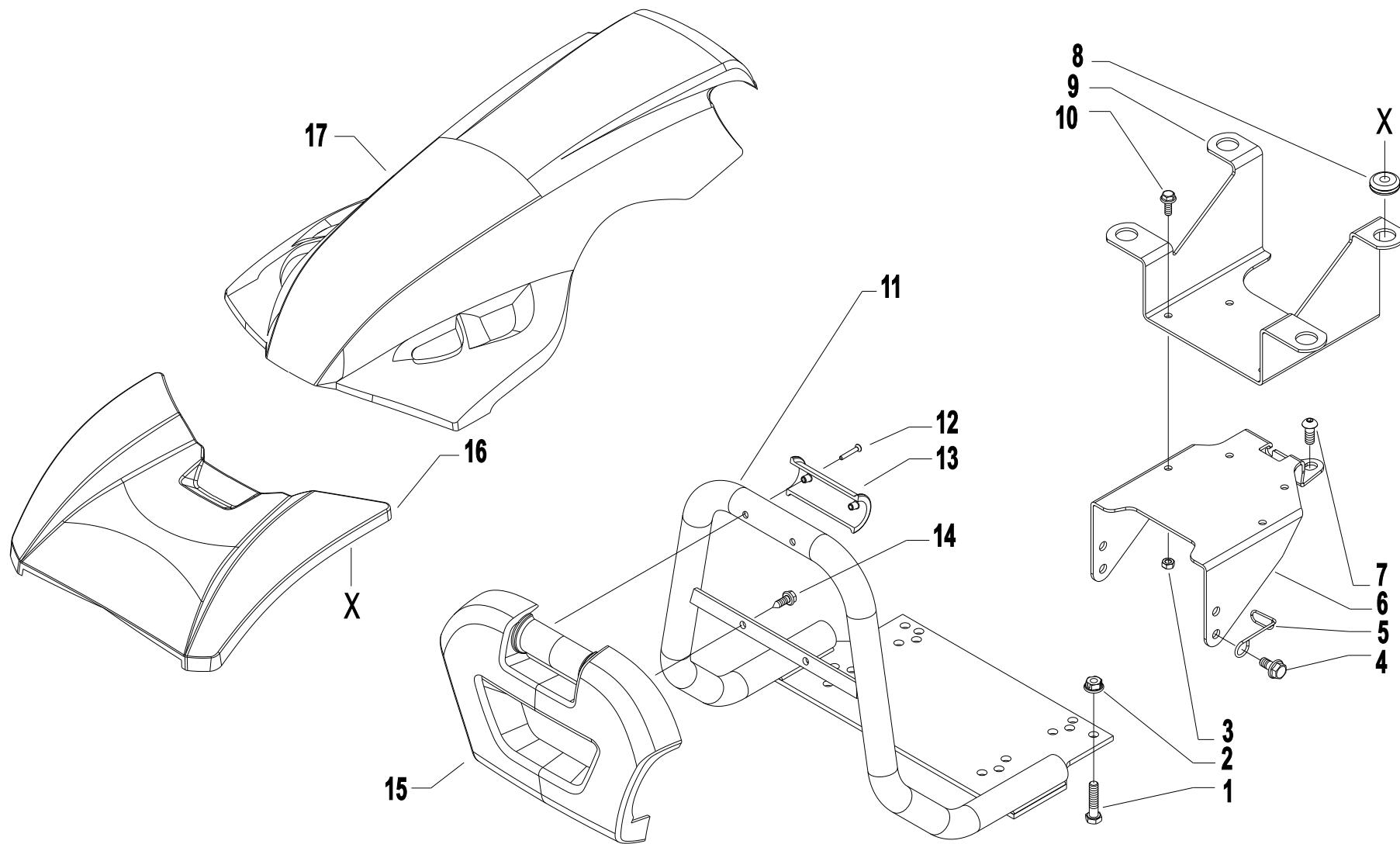
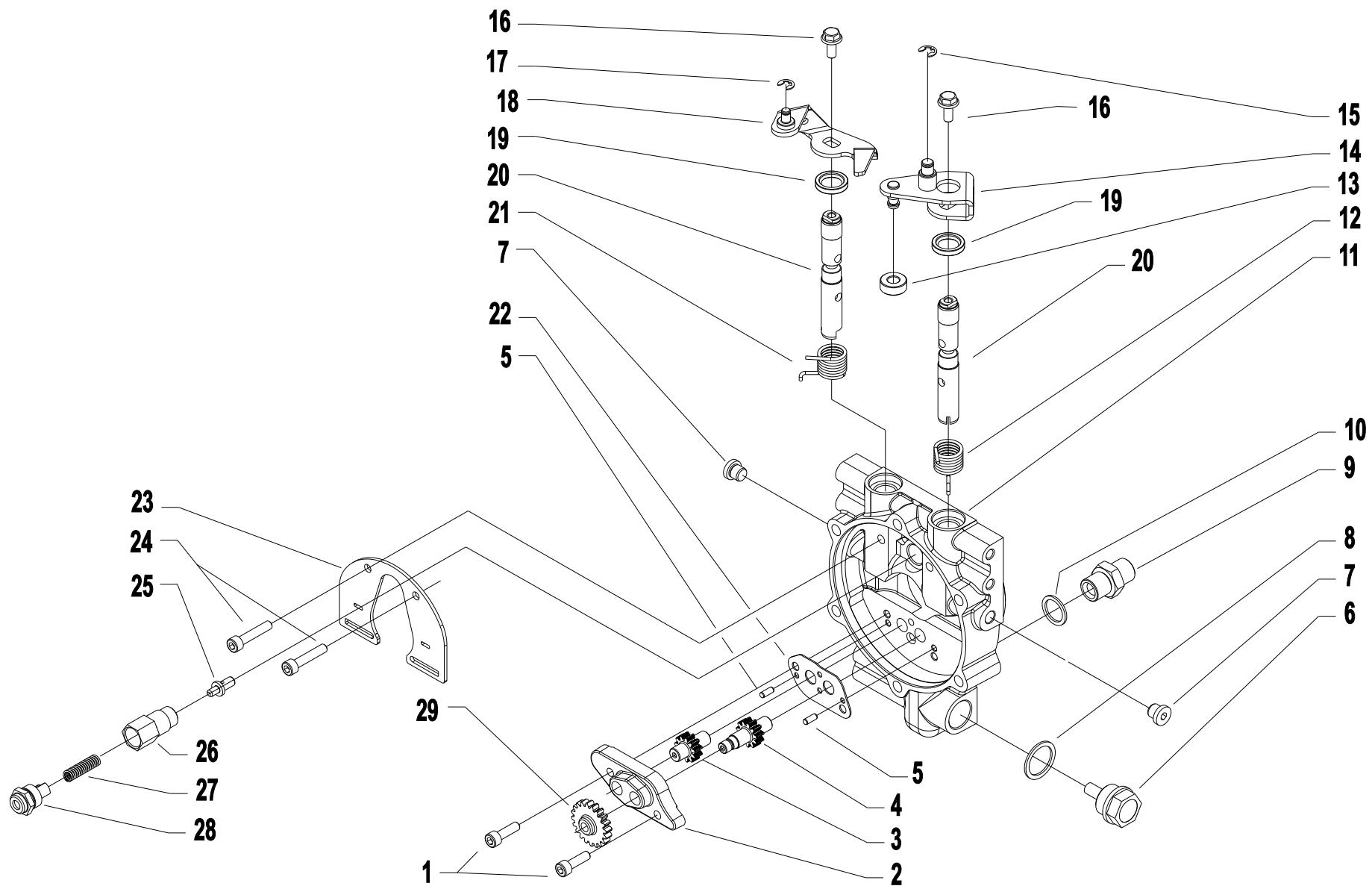


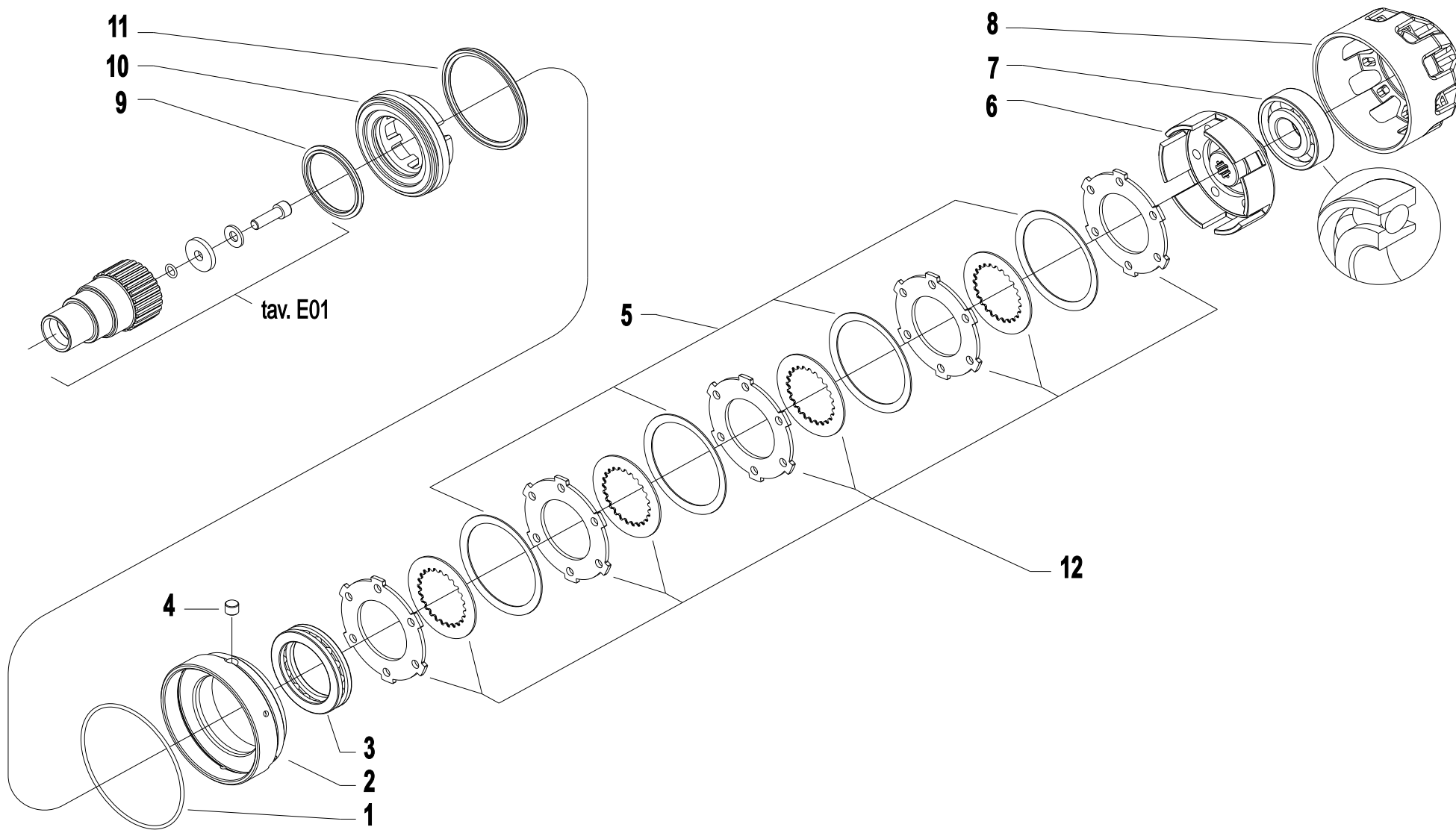
Code	Description	Notes
A.01.01.A0003_01	ENGINE PROTECTIONES	
B.01.01.A0001_03	POWERSAFE CLUCH CONTROL	
C.01.01.A0001_02	CYLINDER AND POWERSAFE CLUTCH	
D.01.01.A0001_02	POWERSAFE FILTER UNIT	
E01_1_132337	POWERSAFE CLUTCH HUB	
F01_1_132354	ENGINE FLANGES	
G.01.01.A0003_01	GEARBOX	
H.04.01.A0003_00	GEARS	
I01_0_67010	WHEELS AXLE	
J02_0_67169	STEERING COLUMN	
K.02.01.A0003_01	HANDLEBAR	
L.02.01.A0003_01	HANDLEBAR CONTROLS	
M.04.01.A0003_00	CONTROLS	
N.01.01.A0003_01	BRAKE	
P01_1_81340	WHEELS	
Q01_1_81859	ELECTRIC STARTER	
R01_0_67594	STICKERS	
R.02.01.A0003_02	STICKERS	



Pos.	Code	Q.ty	Description	Notes
1	31112154	1	SCREW TE M8X40 UNI 5739 8G	
2	31241084	1	SELFLOCK NUT M8 6S	
3	31241060	1	SELFLOCK NUT M6	
4	31112171	1	SCREW TE C/F M8X16 DIN 6921	
5	58057266	1	HOLDER	
6	56156246N	1	TUNNEL CORTO	
7	31121008	1	SCREW TBCEI M10X16 ISO 7380	
8	58056991	1	CABLE GLAND	
9	56157399	1	HOLDER	
10	31112085	1	SCREW TE M6X16 DIN 6921 8G	
11	59053021H	1	BUMPER C.15LD-ACT-GX ALUM.	For motors GX270/340
11	59053040H	1	PARAURTI COM.GX160-200 ALLUM.	For motors GX160/200-EX21
11	59056127H	1	BUMPER FOR 740	For engine L70
12	31100451	1	SCREW 3,5X25	Replaces 55252415
13	55257522	1	HALF BEARING	Replaces 55252415
14	31510100	1	RIBBED SCREW 6,3X19 UNI 6950	Replaces 55252415
15	55252503	1	FREGIO ANT.MC 2010 FERRARI	Replaces 55252415
16	55252406	1	GUARD	
17	55252405	1	GUARD	

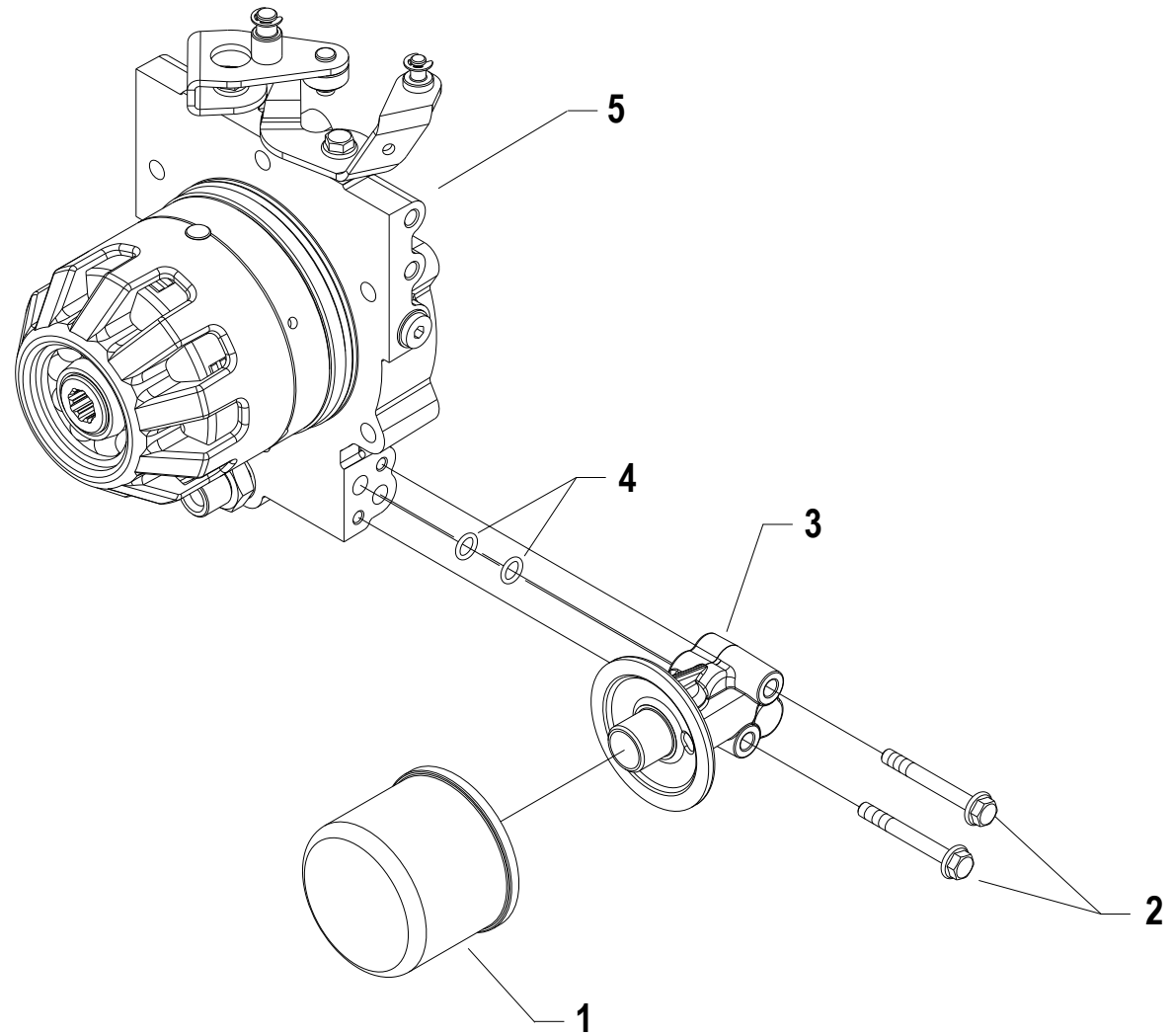


Pos.	Code	Q.ty	Description	Notes
1	31152063	1	SCREW TCEI M6X20 UNI 5931	
2	51156214	1	COVER	
3	52456217	1	DRIVEN GEAR	
4	52456223	1	GEAR	
5	34221040	1	CYLINDRICAL PLUG	
6	58170021	1	PLUG	
7	580C0041	1	TAPPO 1/8 GAS - 107601 CAST	
8	F0844273090	1	GASKET 22X28X1,5 CU 99,5	
9	30000197	1	NIPPLE	
10	31480184	1	COPPER WASHER 16,7x22/1,5	
11	59256200	1	CLUTCH FLANGE	
12	58056222	1	SPRING	
13	55256228	1	ROLLER	
14	59056225Z	1	CLUTCH LEVER	
15	35211060	1	SEEGER RING E 6 UNI 7434	
16	31112084	1	VITE TE C/F M6X14 DIN 6921 8G	
17	35211050	1	SEEGER RING	
18	59056298Z	1	LEVA STOP C.TA ZNT	Replaces 59056230Z from serial 901289
19	38211400	1	OIL SEAL 14X22X4	
20	52456220	1	DISTRIBUTOR	
21	58056221	1	SPRING	
22	56356661	1	COUNTERWEIGHT	
23	56156224	1	SHIELD	
24	31152060	1	SCREW TCEI M6X30 UNI 5931	
25	56456657	1	VALVE	
26	56156658	1	VALVE SEAT	
27	58056683	1	MOLLA VALVOLA 2.5	Replaces 58056192 from serial number 883609
28	56356242	1	TAPPO VALVOLA	



Pos.	Code	Q.ty	Description	Notes
1	38118859	1	O-RING	
2	56356216	1	RING	
3	37161500	1	BEARING	
4	56156247	1	PIN	
5	56556213	1	SPRING	
6	52456694	1	CAMPANA FRIZIONE	Replaces 56356212 + 56356215 + 52456211
7	37141253	1	BEARING	
8	53156210	1	SUMP	
9	38120500	1	RING	
10	53156218	1	PISTON	
11	38140850	1	RING	
12	59256693	1	9 DISC CLUTCH	Replaces 56356212 + 56356215 + 52456211

POWERSAFE FILTER UNIT



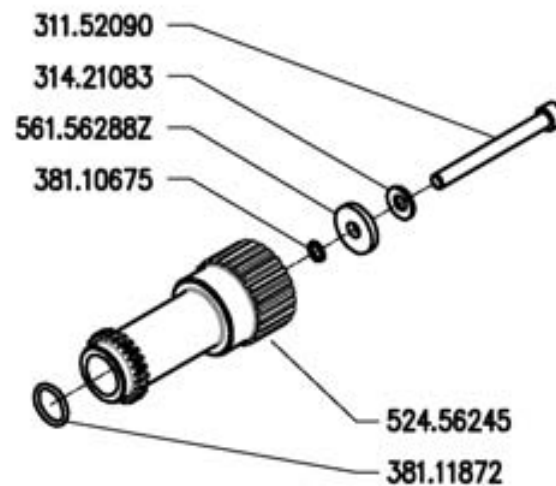
Pos.	Code	Q.ty	Description	Notes
1	58056208	1	FILTER	
2	31112099	1	VITE TE C/F M6X50 DIN 6921 8G	
3	53156209	1	CONNECTION	
3	53156659	1	CONNECTION	Powersafe EasyDrive
4	38110873	1	O-RING 108 (8,73X1,78)	
5	59256035	1	POWERSAFE CLUTCH ASSY Q19	For motors GX160/200
5	59256036	1	POWERSAFE CLUTCH	For motors GX240/270-EX21
5	59256037	1	GR.FRIZ.POWERSAFE Q25.4 (3/8)	For motors GX340/390
5	59256038	1	POWERSAFE CLUTCH	For motors 15LD350/440-L70/100
5	59256039	1	POWERSAFE CLUTCH ASSY	For motors 15LD500/3LD510



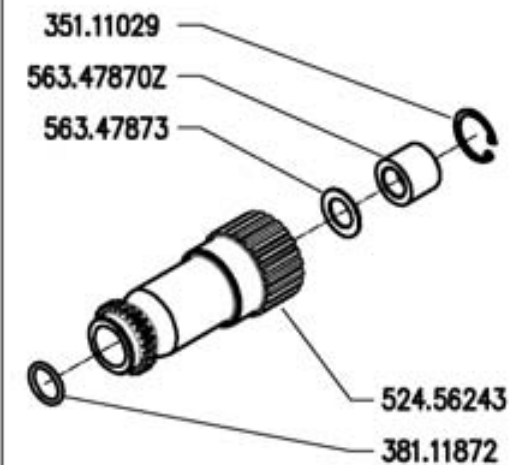
GX 160-200



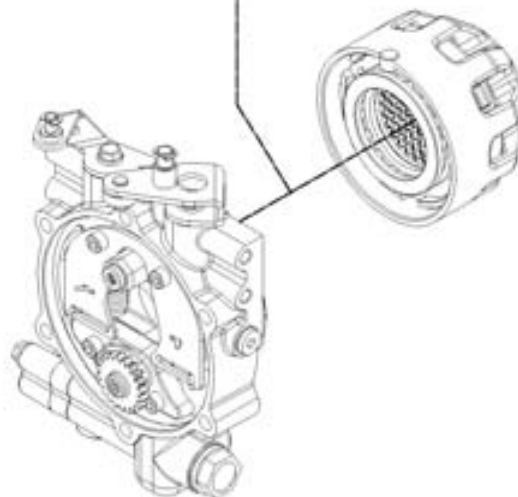
GX 240-270-340-390



15LD350-440 - L70-100



15LD500 - 3LD510 ★



700 serie PS
PowerSafe®

MOZZI FRIZIONE POWERSAFE

POWERSAFE CLUTCH HUBS
CUBOS EMBRAGUE POWERSAFE

MOYEUX EMBRAYAGE POWERSAFE
NABEN POWERSAFE KUPPLUNG

DALLA MACCHINA
DE LA MACCHINA
DE LA MACHINE
FROM THE MACHINE
AB DER MASCHINE



AGGIORNAMENTO
APLAZAMIENTO
MISE A JOUR
REVISION
ANPASSUNG

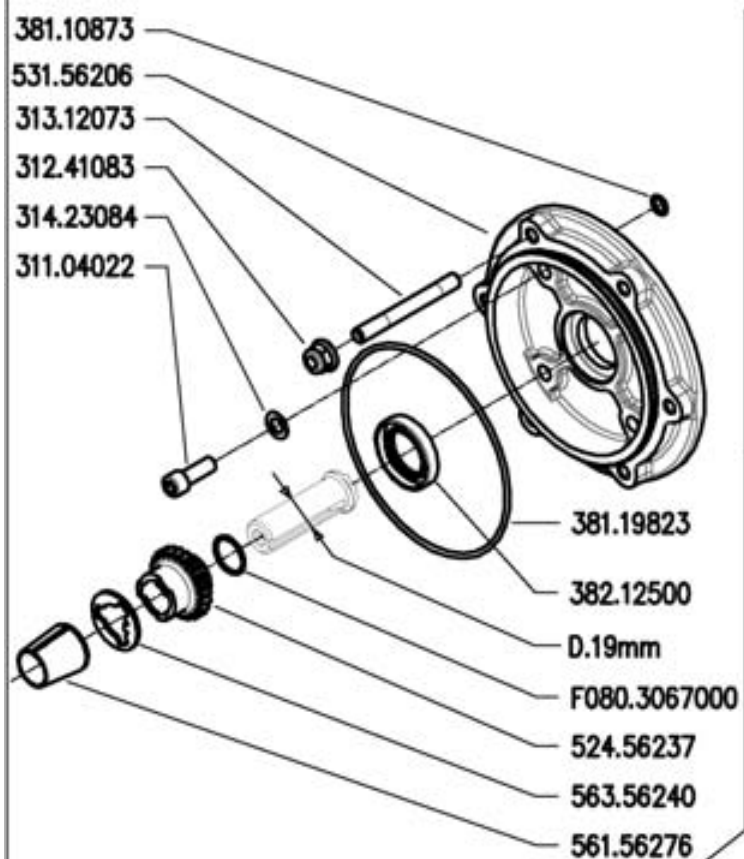
E01

Rev.

1

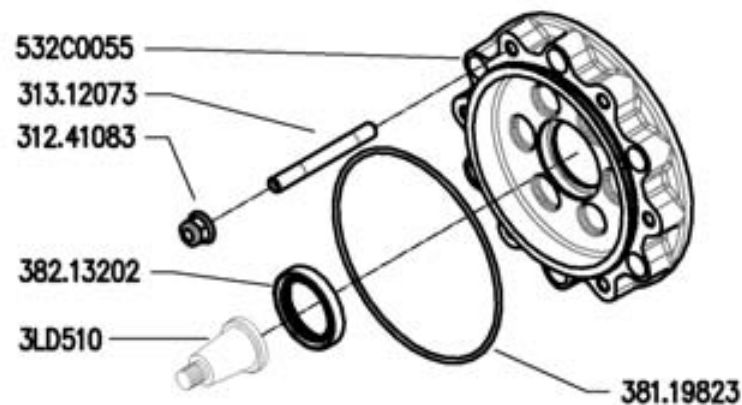
11/2010

Pos.	Code	Q.ty	Description	Notes
31100023	31100023	1	SCREW 5/16-24	
31100029	31100029	1	SCREW TSVEI 7/16-20X1 1/2 UNF8G	
31100031	31100031	1	VITE TSVEI 3/8-24X1 1/2 UNF 8G	
31152090	31152090	1	SCREW TCEI M8x80 UNI5931	
31421083	31421083	1	WASHER	
35111029	35111029	1	SEEGER RING	
38110675	38110675	1	O-RING 106 (6.75X1.78)	
38111872	38111872	1	O-RING 3075 (18,72x2,62)	
52456233	52456233	1	HUB	
52456234	52456234	1	HUB	
52456243	52456243	1	HUB	
52456245	52456245	1	HUB	
56347873	56347873	1	WASHER	
56556282	56556282	1	WASHER D.25,4	
56156288	56156288Z	1	SPECIAL WASHER SP.4	
56347870	56347870Z	1	SPECIAL NUT	

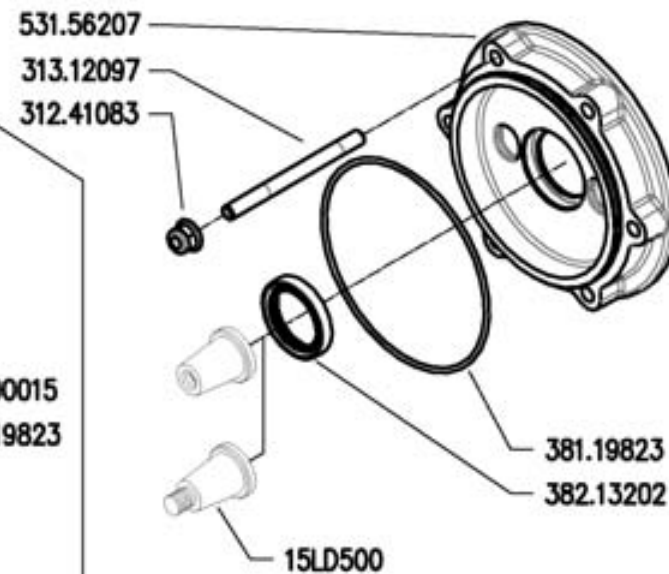
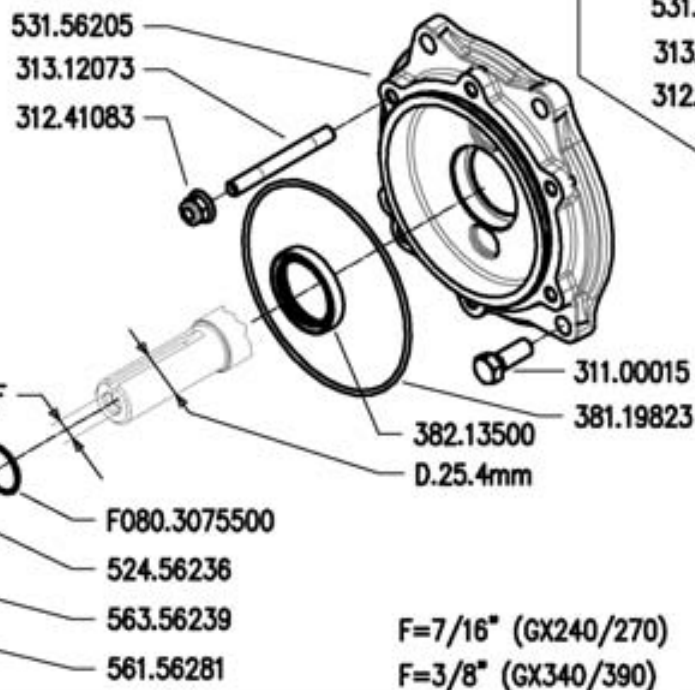


GX 160-200

★ 3LD510



GX 240-270-340-390



15LD350-440-500
L70-100



700 serie PS
PowerSafe®

ENGINE FLANGES
BRIDAS MOTOR

FLANGIE MOTORE

BRIDES MOTEUR
MOTOR FLANSCH

DALLA MACCHINA
DE LA MACCHINA
DE LA MACCHINA
FROM THE MACHINE
AB DER MASCHINE

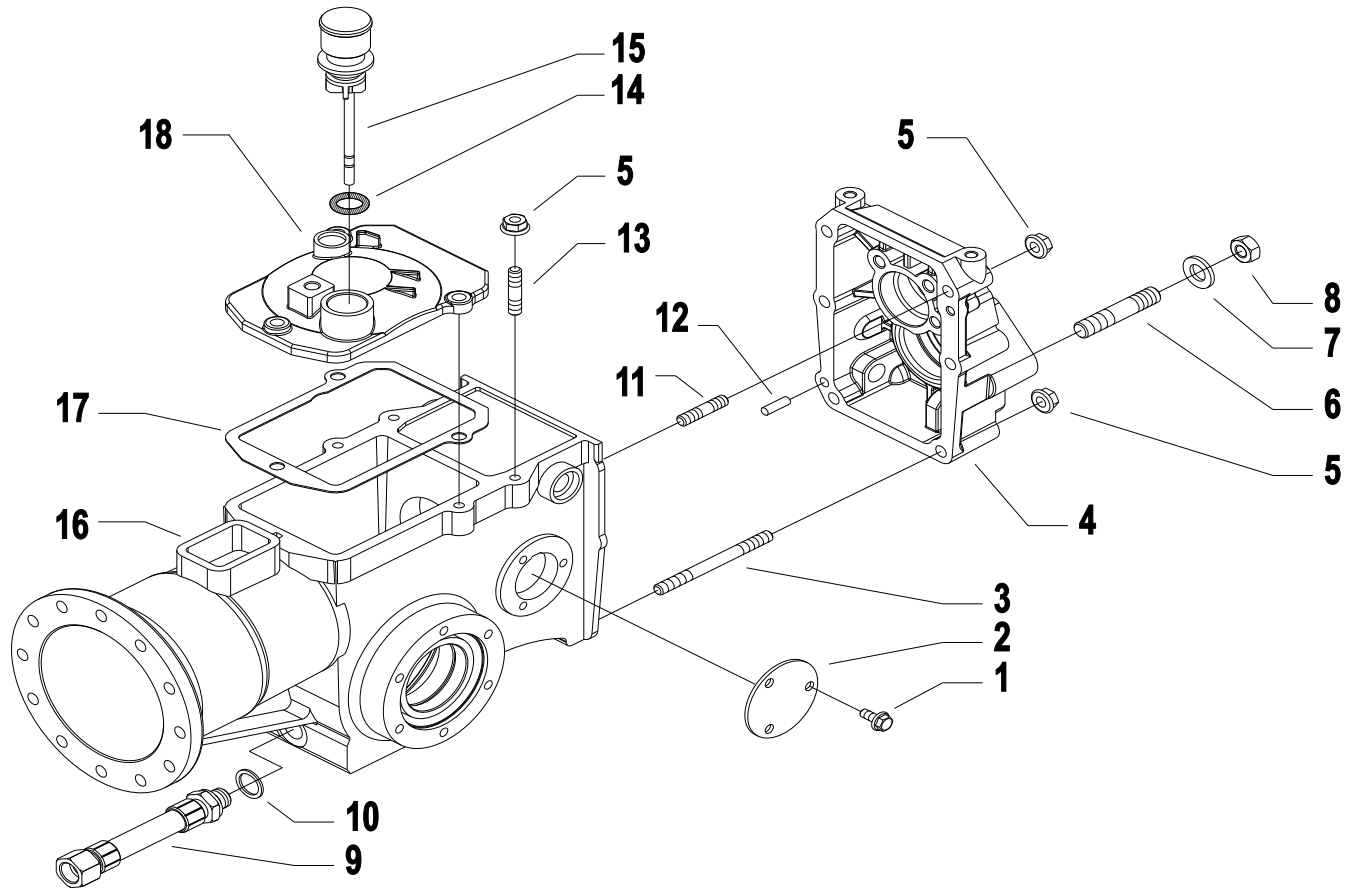
★ N.

AGGIORNAMENTO
APLAZAMIENTO
MISE A JOUR
REVISION
ANPASSUNG

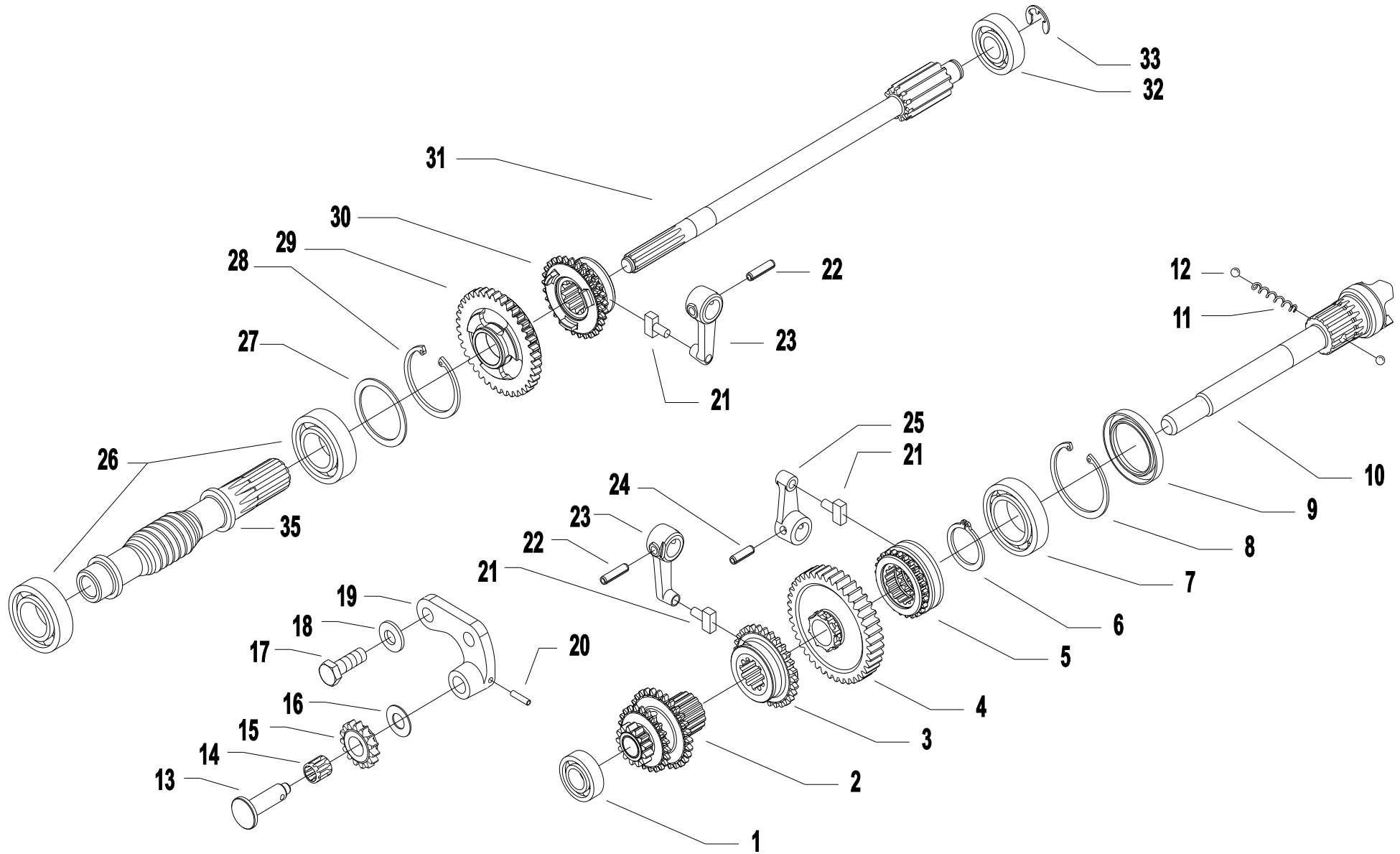
F01 1
11/2010

Rev.

Pos.	Code	Q.ty	Description	Notes
31100015	31100015	1	SCREW TE 3/8X1	
31104022	31104022	1	VITE TCEI 5/16X7/8 UNF 12K	
31241083	31241083	1	SELFLOCK NUT M8	
31312073	31312073	1	STUD BOLT	
31312097	31312097	1	STUD BOLT	
31423084	31423084	1	SPRING WASHER 8,4	
38110873	38110873	1	O-RING 108 (8,73X1,78)	
38119823	38119823	1	O-RING	
38212500	38212500	1	OIL SEAL 25X40X7	
38213202	38213202	1	OIL SEAL 32X45X7	
38213500	38213500	1	OIL SEAL 35X47X7	
52456236	52456236	1	PUMP GEAR	
52456237	52456237	1	PUMP GEAR	
53156205	53156205	1	ENGINE FLANGE	
53156206	53156206	1	ENGINE FLANGE	
53156207	53156207	1	ENGINE FLANGE	
532C0055	532C0055	1	FLANGIA MOTORE ACT	
56156276	56156276	1	SLEEVE	
56156281	56156281	1	CENTRING BUSH	
56356239	56356239	1	TRASCINATORE Q25	
56356240	56356240	1	TRASCINATORE Q19	
F0803067	F0803067000	1	O-RING 2075 (18,77X1,78)	
F0803075	F0803075500	1	O-RING 2100 (25,12X1,78)	



Pos.	Code	Q.ty	Description	Notes
1	31112083	1	SCREW M6X12	
2	56147520Z	1	COVER	
3	31312094	1	STUD BOLT M8X68X14X36	
4	53156332V	1	REAR COVER	
5	31241084	1	SELFLOCK NUT M8 6S	
6	31312125	1	STUD BOLT	
7	31421132	1	WASHER 13X24X2,8	
8	31221121	1	NUT M12X1,25	
9	59056248	1	TUBO ASPIRAZIONE CORTO C.TO	
10	31480184	1	COPPER WASHER 16,7x22/1,5	
11	31312086	1	STUD BOLT M8X56X20X14	
12	58043053	1	CYLINDRICAL PLUG	
13	31312082	1	STUD BOLT M8X38X14X20	
14	55102678	1	RUBBER RING	
15	59056672	1	TAPPO C/ASTA LIVELLO OLIO ED	
16	53156203V	1	BOX CASING	
17	58043117	1	COVER GASKET	
18	53143128V	1	COVER	Pour les modèles Série 310/320/328 PS
18	53143875V	1	GEARBOX HOUSING COVER	Pour les modèles 330/338 de la série PS



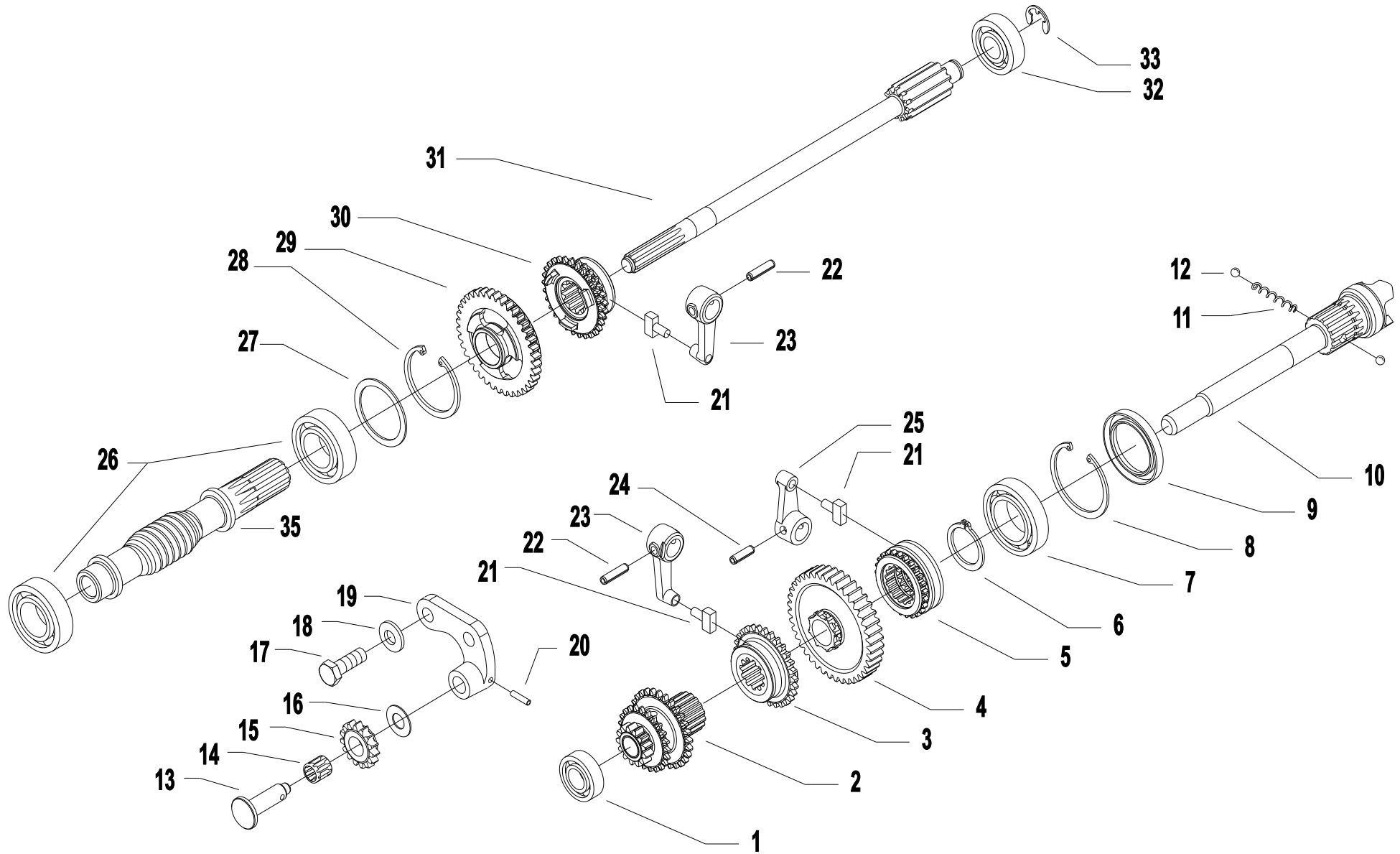
Pos.	Code	Q.ty	Description	Notes
1	37111150	1	BEARING	
2	59056730	1	INGRANAGGIO TRIPLO 3C C.TO	
3	52456370	1	SLIDER	
4	59056707	1	PTO GEAR	
5	52456706	1	PTO COUPLING	
6	35121031	1	SEEGER RING E 30 UNI 7436	
7	37112229	1	BEARING	
8	35111055	1	SEEGER RING I 55 DIN 472	
9	38213800	1	OIL SEAL 38X55X7	
10	52456335	1	PTO SHAFT	
11	58056391	1	SPRING	
12	37910832	1	BALL 1/4	
13	56456736	1	PERNO INGRANAGGIO OZIOSO	
14	37320120	1	ROLLER CAGE 12X15/10	
15	56456347	1	GEAR	
16	56356348	1	ADJUSTING RING	
17	31112211	1	SCREW TE M10X30 UNI 5739	
18	31421101	1	WASHER	
19	52456349	1	GEAR SUPPORT	
20	34211042	1	ROLL PIN	
21	58043086	1	SHOE	
22	34213060	1	ROLL PIN	
23	52456389	1	LEVER	
24	34213061	1	ROLL PIN	
25	52456390	1	LEVER	
26	37111255	1	BEARING	
27	56356331	1	ADJUSTING RING SP=1,8	
28	56356330	1	ADJUSTING RING SP=1,7	
29	56356329	1	ADJUSTING RING SP=1,6	
30	56356328	1	ADJUSTING RING SP=1,5	
31	35111052	1	SEEGER RING I 52 DIN 472	
32	52456732	1	INGRANAGGIO 1a 3C	
33	52456733	1	SCORREVOLE 3C	
34	52456339	1	SHAFT	

SERIAL

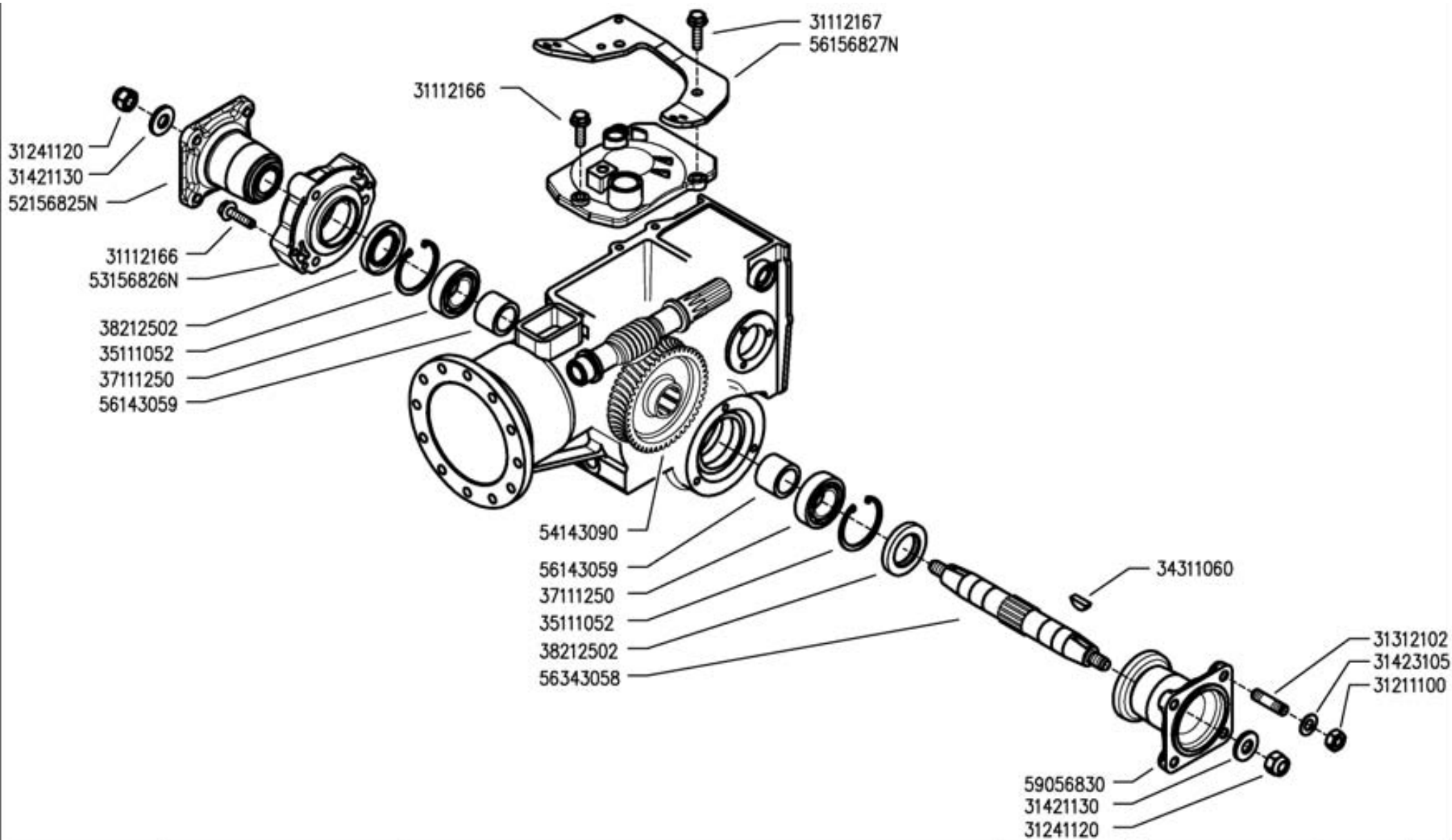
GEARS

CODE REV

H.04.01.A0003_00



Pos.	Code	Q.ty	Description	Notes
35	37111152	1	BEARING	
36	35211120	1	SEEGER RING E 12 UNI 7434	



FERRARINI

300 serie PS
PowerSafe®

WHEELS AXLE
EJE RUEDAS

ASSE RUOTE
(310-320)

ESSIEUS ROUES
RÄDACHSE

DALLA MACCHINA
DE LA MAQUINA
DE LA MAQUINA
FROM THE MACHINE
AB DER MASCHINE

N.

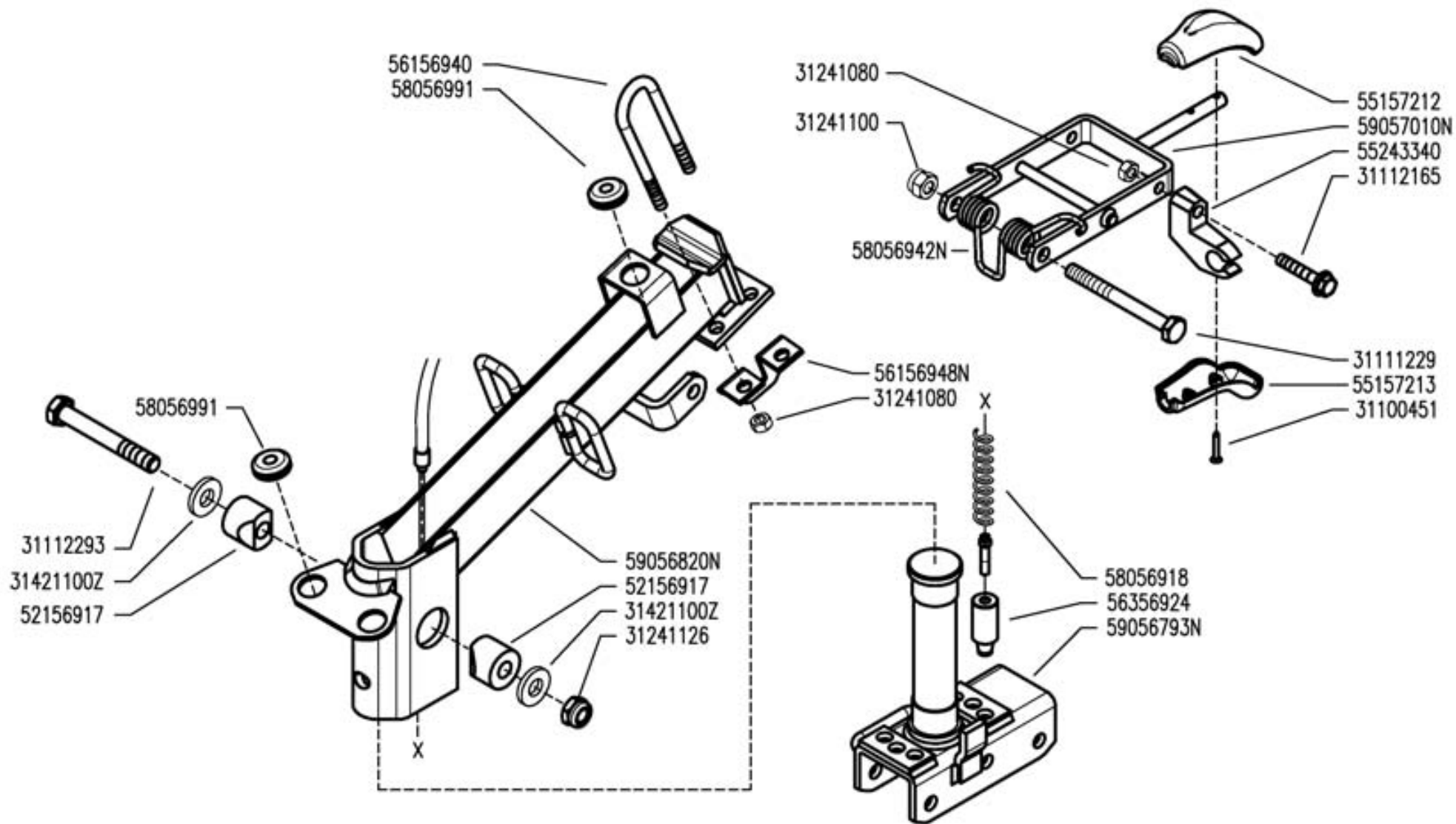
I01

05/2009

Rev.

0

Pos.	Code	Q.ty	Description	Notes
31112166	31112166	1	SCREW TE C/F M8X25 DIN 6921 8G	
31112167	31112167	1	SCREW TE C/F M8X30 DIN 6921 8G	
31211100	31211100	1	NUT M10	
31241120	31241120	1	SELFLOCK NUT M12	
31312102	31312102	1	STUD BOLT M10X40X24X12	
31421130	31421130	1	WASHER	
31423105	31423105	1	SPRING WASHER 10,5	
34311060	34311060	1	KEY 6X10 UNI 6606	
35111052	35111052	1	SEEGER RING I 52 DIN 472	
37111250	37111250	1	BEARING	
38212502	38212502	1	OIL SEAL 25X52X7	
54143090	54143090	1	CROWN WHEEL	
56143059	56143059	1	SPACER	
56343058	56343058	1	AXLE SHAFT	
59056830	59056830	1	WHEEL HUB	
52156825	52156825N	1	WHEEL HUB	
53156826	53156826N	1	FLANGE	
56156827	56156827N	1	STOP	



300 serie PS
PowerSafe®

STEERING COLUMN
COLUMNA

PIANTONE
(320-330)

PLANTON
LENKSÄULE

DALLA MACCHINA
DE LA MAQUINA
DE LA MACHINA
FROM THE MACHINE
AB DER MASCHINE

N.

J02 0

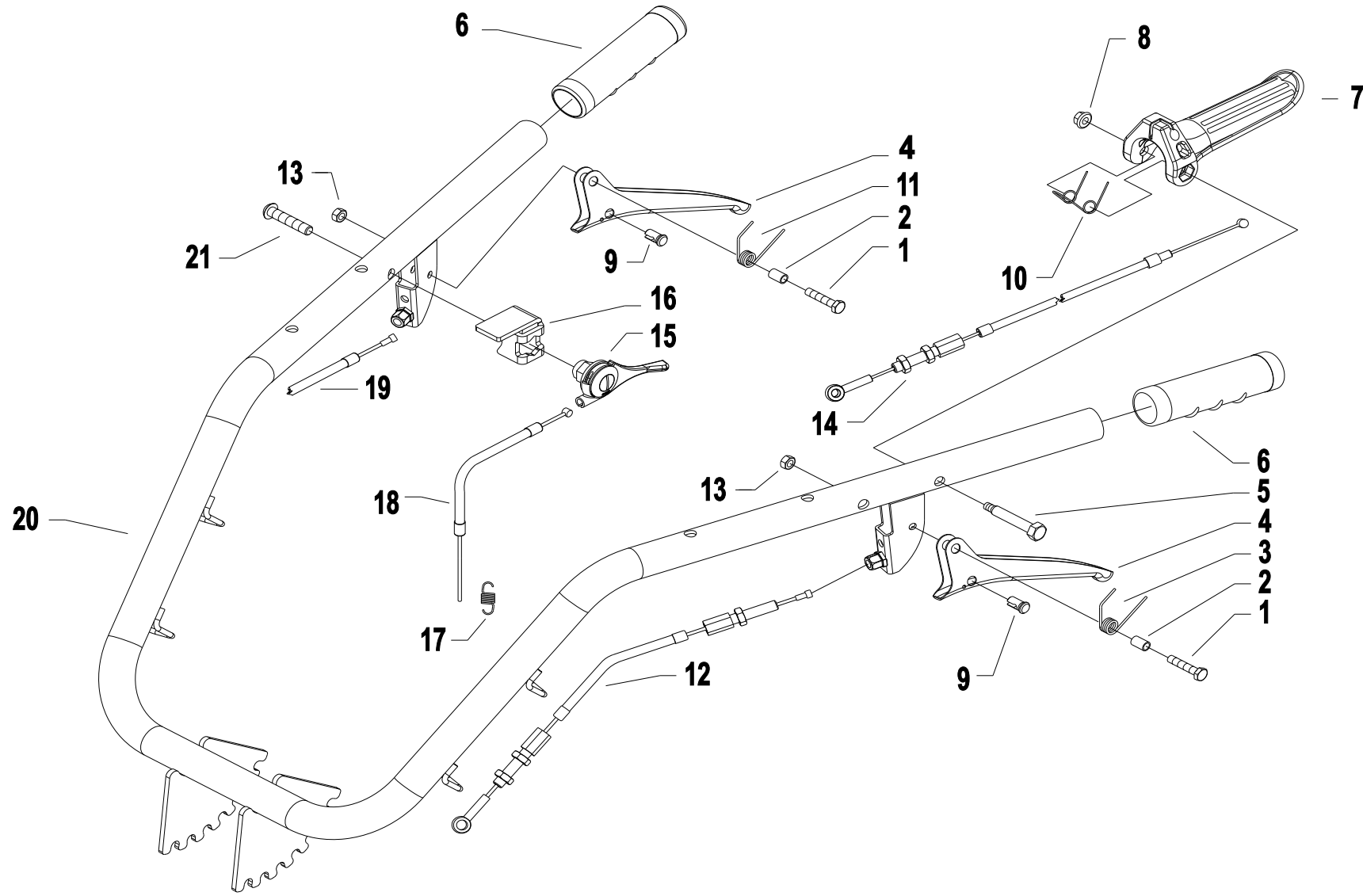
05/2009

Rev.

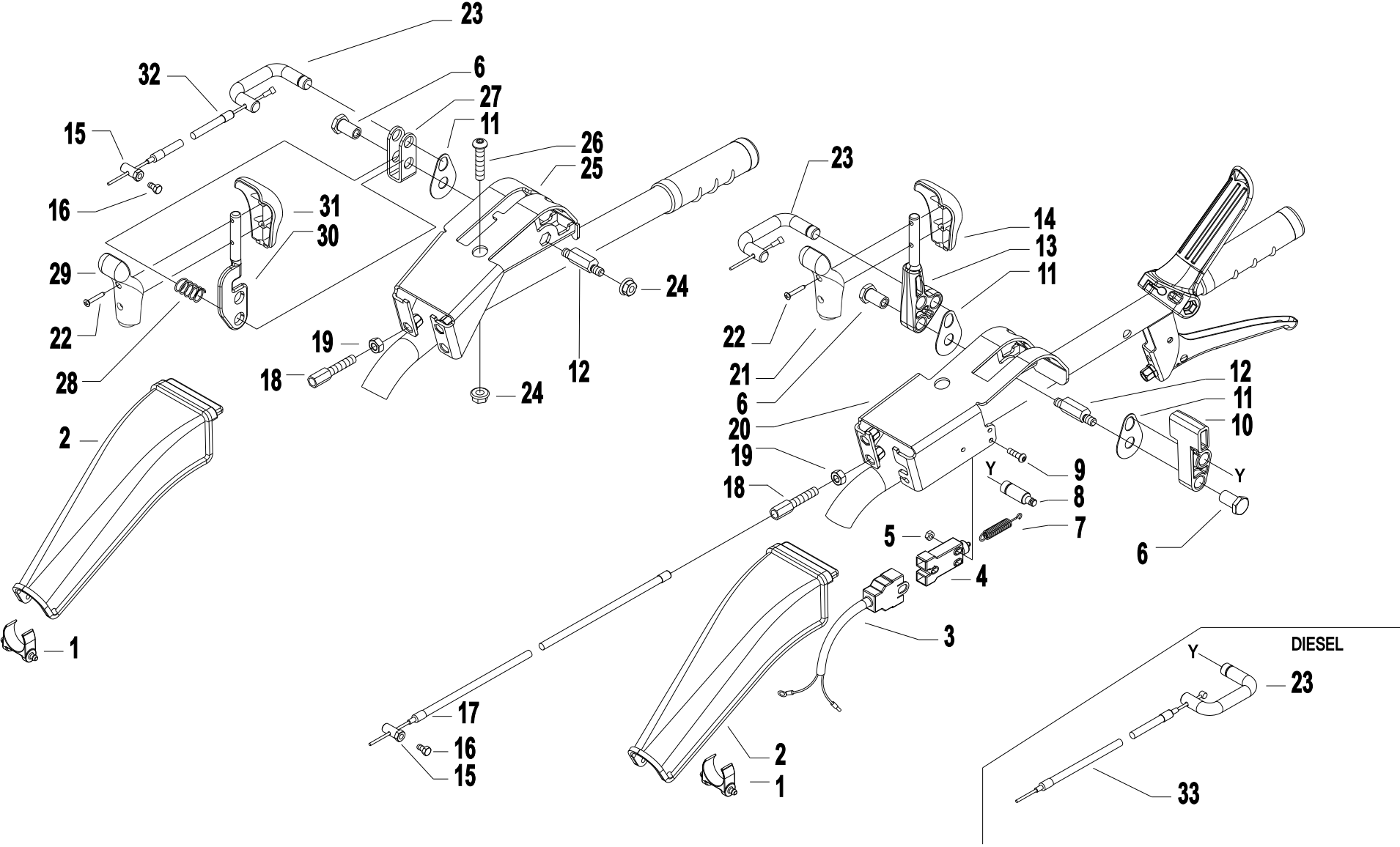
0

Pos.	Code	Q.ty	Description	Notes
31100451	31100451	1	SCREW 3,5X25	
31111229	31111229	1	SCREW TE M10X110 UNI 5737 8G	
31112165	31112165	1	SCREW TE C/F M8X35 DIN 6921 8G	
31112293	31112293	1	SCREW TE M12X80 UNI 5737	
31241080	31241080	1	SELFLOCK NUT M8	
31241100	31241100	1	SELFLOCK NUT M10 6S	
31241126	31241126	1	SELFLOCK NUT M12	
52156917	52156917	1	WEDGE	
55157212	55157212	1	GRIP	
55157213	55157213	1	GRIP	
55243340	55243340	1	SUPPORT	
56156940	56156940	1	U BOLT	
56356924	56356924	1	FERRULE	
58056918	58056918	1	SPRING	
58056991	58056991	1	CABLE GLAND	
31421100	31421100Z	1	CUP SPRING	
56156948	56156948N	1	STOP	
58056942	58056942N	1	SPRING	
59056793	59056793N	1	SUPPORT	
59056820	59056820N	1	COLUMN	
59057010	59057010N	1	LEVER	

HANDLEBAR



Pos.	Code	Q.ty	Description	Notes
1	31112089	1	SCREW TE M6X25 UNI 5739 8G	
2	56156603Z	1	SPACER	
3	58050345	1	SPRING	
4	56148470N	1	LEVER	
5	56356184Z	1	LEVER PIN	
6	58048000	1	KNOB	
7	55256185	1	LEVER	
8	31241065	1	SELFLOCK NUT M6	
9	58150313	1	CABLE CLAMP	
10	58056186Z	1	SPRING	
11	58056593	1	SPRING	
12	58056190	1	LINE	
13	31241060	1	SELFLOCK NUT M6	
14	58056191	1	LINE	
15	58002538	1	COMMAND LEVER	
16	56156874N	1	PANEL	
17	58056154	1	RESTORING SPRING	Utilizzato con motore GX200 - For the engine GX200
17	58056155	1	RESTORING SPRING	Utilizzato con motore GX270 - For the engine GX270
18	58056811	1	LINE AND SHEATH	For engines GX200/GX270
18	58056812	1	LINE AND SHEATH	For the engine L70AA
19	58056193	1	COLUMN TRANSMISSION	
20	59256175	1	HANDLE BAR	
21	31121020	1	SCREW TBCEI M8X40 ISO7380 10K Z	



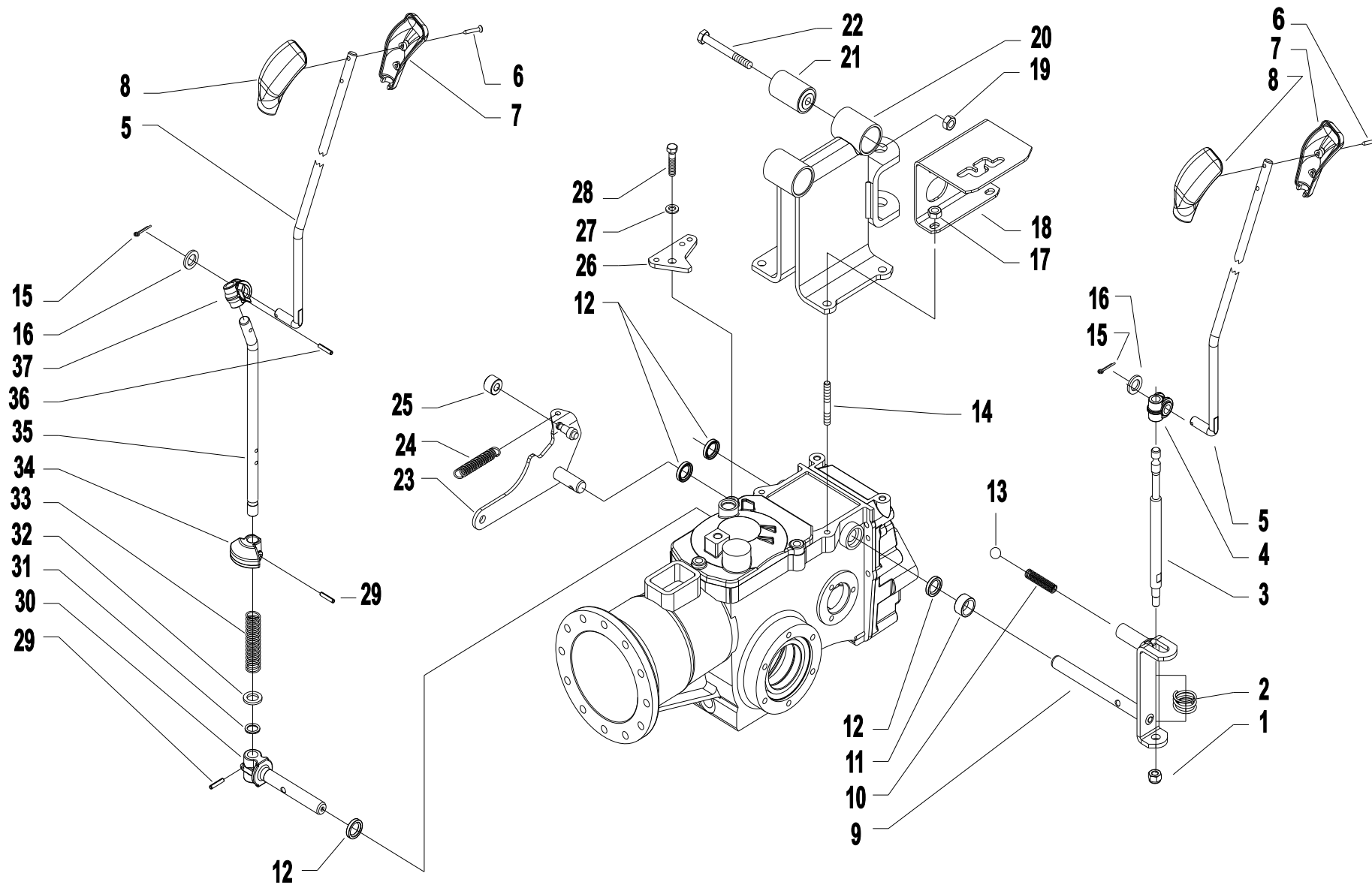
Pos.	Code	Q.ty	Description	Notes
1	55256836	1	CROSS MEMBER	
2	55256835	1	PROTECTION COVER	
3	58056837	1	WIRING	
4	58048009	1	SWITCH	
5	31241042	1	SELFLOCK NUT M4 FL.6S	
6	56148287	1	STUD BOLT	
7	58047712	1	SPRING	
8	56156834Z	1	INDEXING BOLT	
9	31121024	1	SCREW TBCEI FL.M4X25	
10	55256197	1	LEVER	
11	56356833Z	1	SMALL PLATE	
12	56356858Z	1	PIN	
13	53156860	1	COMMAND LEVER	
14	55157212	1	GRIP	
15	56356840Z	1	CLAMPING SCREW	
16	31112090	1	SCREW TE M6X16 UNI 5739 8G	
17	58056843	1	LINE AND SHEATH	
18	58056595	1	ADJUSTING SCREW	
19	31211080	1	NUT M8	
20	59256180	1	SUPPORT	
21	55157213	1	GRIP	
22	31100451	1	SCREW 3,5X25	
23	56156832Z	1	U BOLT	
24	31241084	1	SELFLOCK NUT M8 6S	
25	59256850	1	SUPPORT	
26	31121020	1	SCREW TBCEI M8X40 ISO7380 10K Z	
27	56156859Z	1	FORK	
28	58049830	1	SPRING	
29	55157215	1	GRIP	
30	52156810Z	1	COMMAND LEVER	
31	55157214	1	GRIP	
32	58056848	1	LINE AND SHEATH	
33	58049505	1	LINE AND SHEATH	For engines L70/15LD350

SERIAL

HANDLEBAR CONTROLS

CODE REV

L.02.01.A0003_01



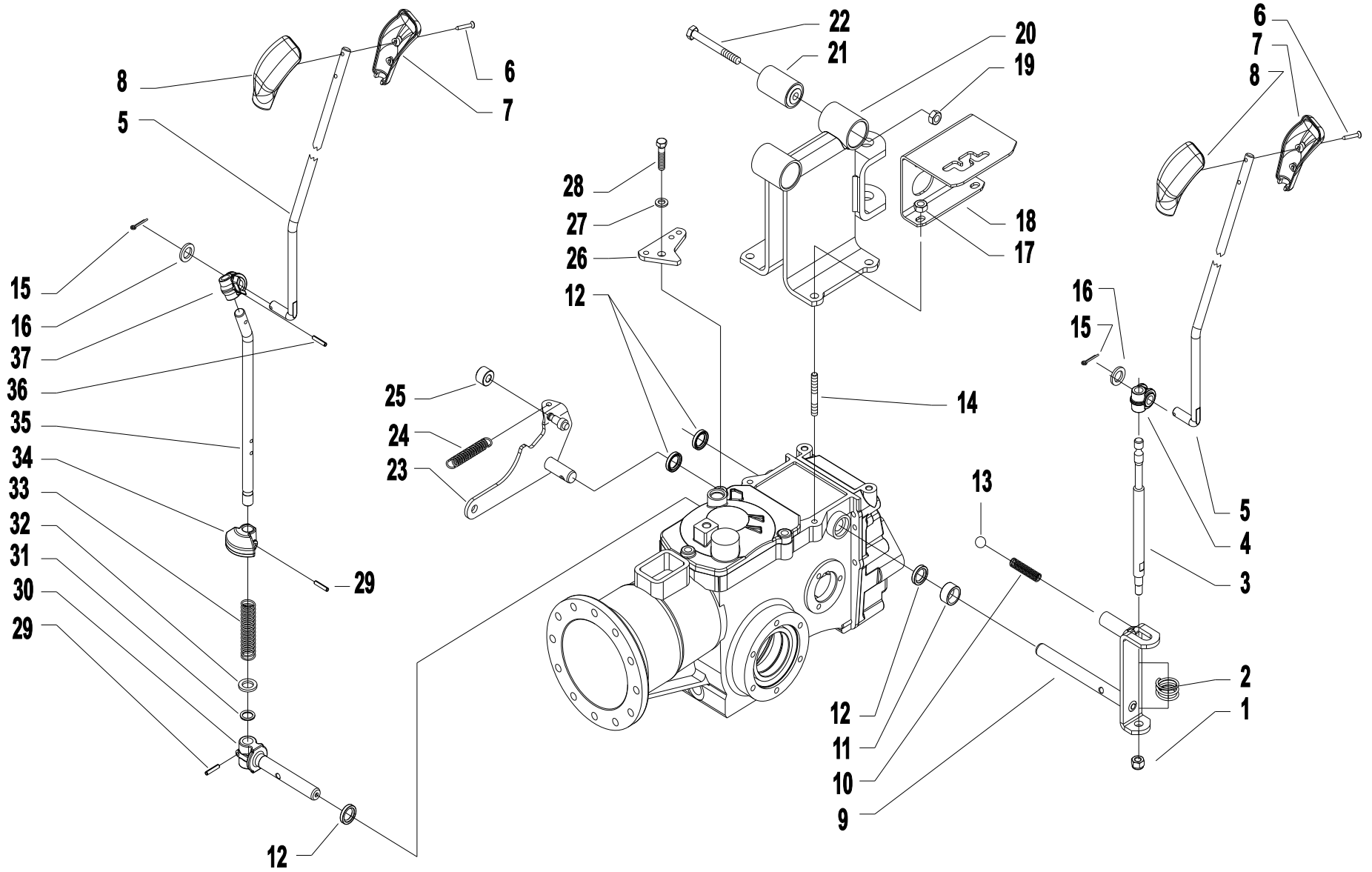
Pos.	Code	Q.ty	Description	Notes
1	31241080	1	SELFLOCK NUT M8	
2	58057232Z	1	SPRING	
3	56356738Z	1	LEVA COMANDO CAMBIO 3C ZNT	
4	55242528	1	JOINT	
5	56156792N	1	PULL ROD	
6	31100451	1	SCREW 3,5X25	
7	55157213	1	GRIP	
8	55157212	1	GRIP	
9	59056735N	1	LEVA CAMBIO 3C C.TA	
10	58043176	1	SPRING	
11	56157257Z	1	SPACER	
12	38211400	1	OIL SEAL 14X22X4	
13	37911532	1	BALL 15/32	
14	31312082	1	STUD BOLT M8X38X14X20	
15	34110028	1	SPLIT PIN	
16	31411104	1	WASHER 10,5x18	
17	31241084	1	SELFLOCK NUT M8 6S	
18	56156734H	1	SELETTORE MARCE 3C	
19	31241100	1	SELFLOCK NUT M10 6S	
20	59056920	1	SUPPORT	
21	30010142	1	SILENT-BLOCK 10,2X30X45X49	
22	31111217	1	SCREW TE M10X75 UNI 5737 8G	
23	59057319	1	LEVER	
24	58057273	1	SPRING	
25	55257313	1	ROLLER	
26	56157274	1	SQUARE	
27	31423084	1	SPRING WASHER 8,4	
28	31112152	1	SCREW TE M8X30 UNI 5739 8G	
29	34213020	1	ROLL PIN	
30	52357250	1	PIN	
31	38111191	1	O-RING 115 (11,91X2,62)	
32	31414130	1	WASHER 13	
33	F0831193010	1	SPRING DM.15X70	
34	55257321	1	STOP	

SERIAL

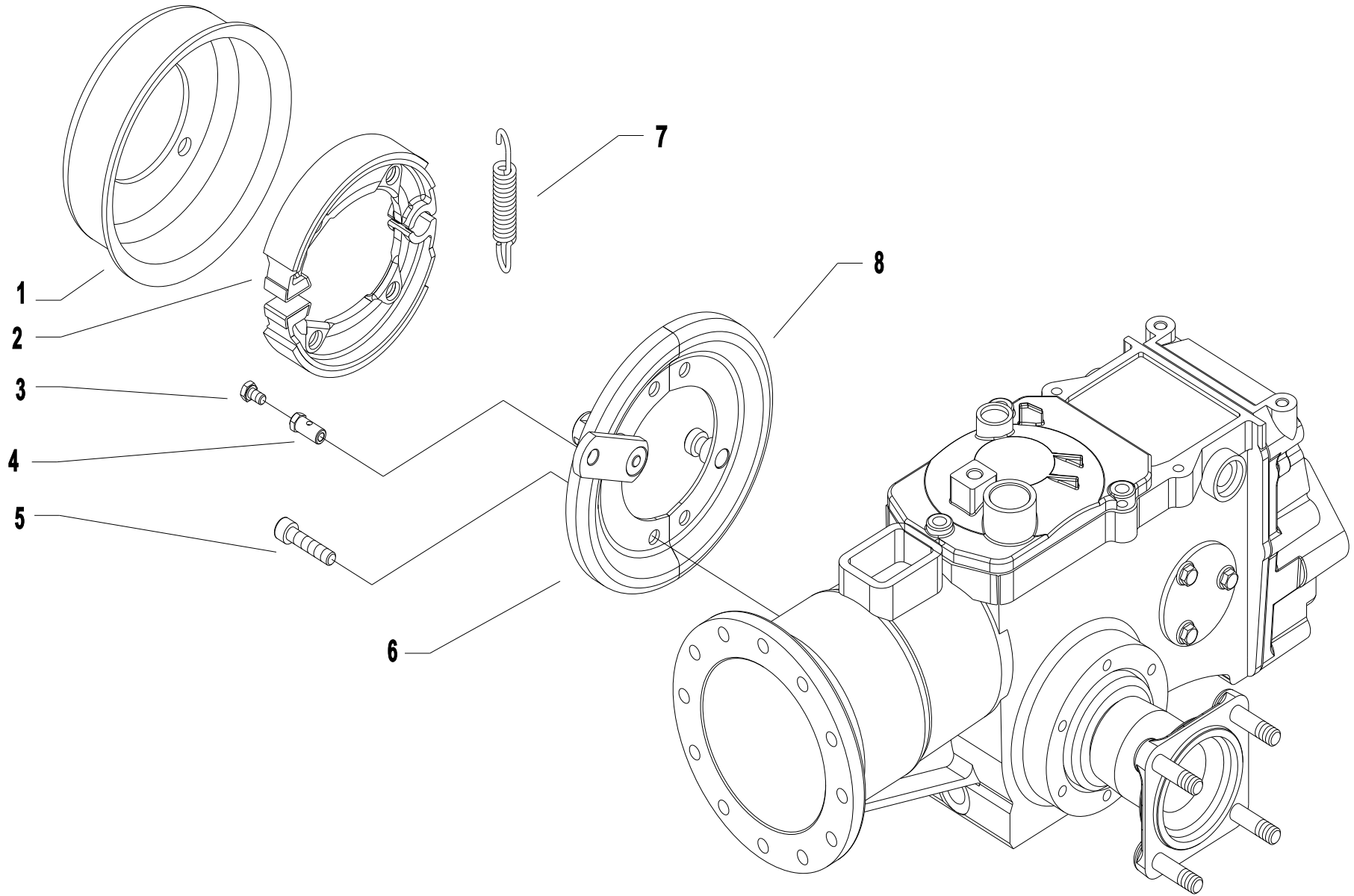
CONTROLS

CODE REV

M.04.01.A0003_00

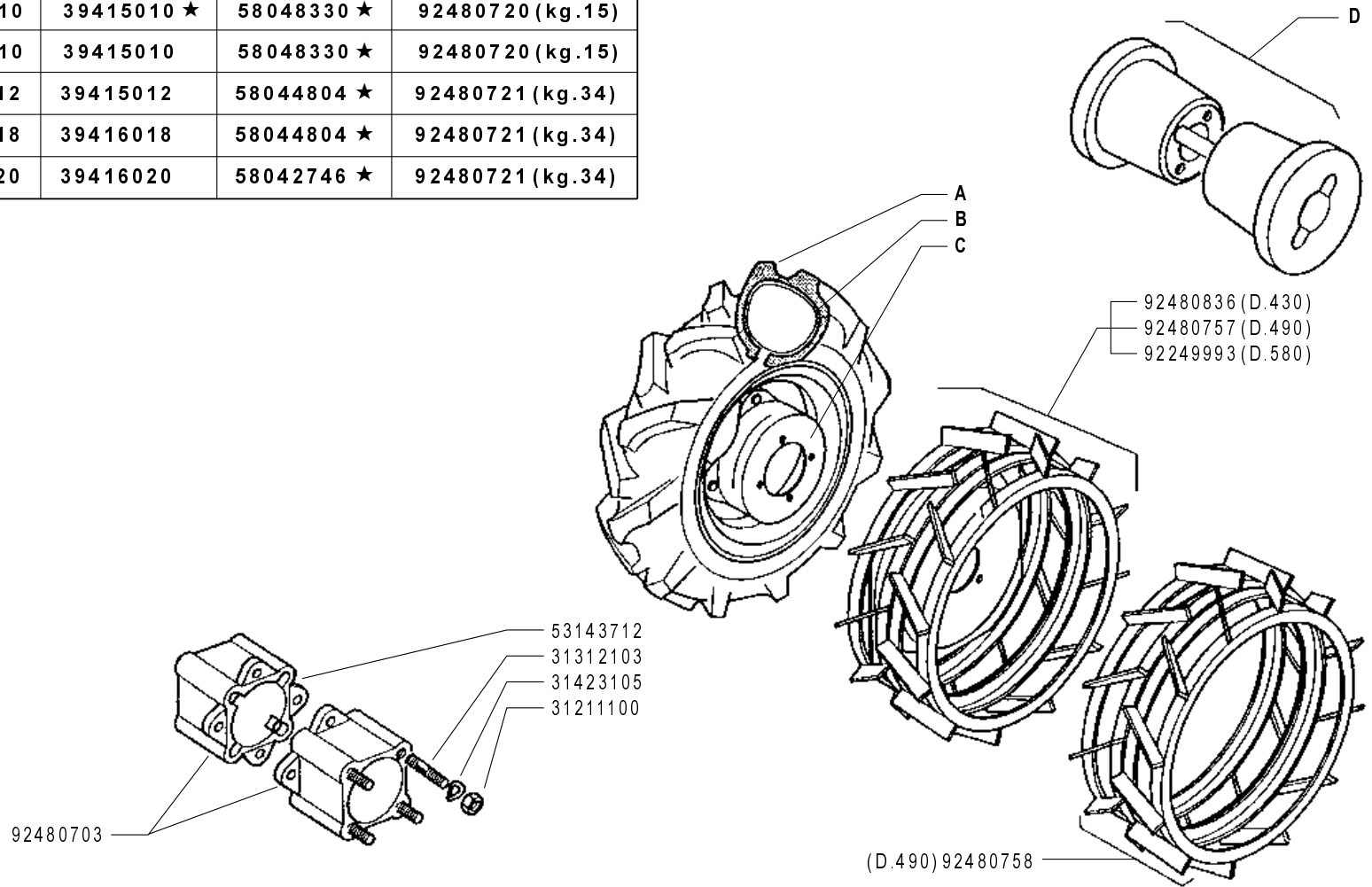


Pos.	Code	Q.ty	Description	Notes
35	56157324N	1	PTO LEVER	
36	34213024	1	ROLL PIN	
37	55248379	1	JOINT	



Pos.	Code	Q.ty	Description	Notes
1	56148218N	1	BRAKE DRUM	
2	58048214	1	BRAKE BLOCK	
3	31112090	1	SCREW TE M6X16 UNI 5739 8G	
4	56356840Z	1	CLAMPING SCREW	
5	31152085	1	SCREW TCEI M8X25 UNI 5931	
6	59048200N	1	HALF DISC	
7	58048215	1	SPRING	
8	59048208	1	HALF DISC	

	A	B	C	D
4.00 - 8"	39114008	39414008	58043250 ★	92480719 (kg.11)
4.0 - 10"	39114010	39415010 ★	58048330 ★	92480720 (kg.15)
5.0 - 10"	39115010	39415010	58048330 ★	92480720 (kg.15)
5.00 - 12"	39115012	39415012	58044804 ★	92480721 (kg.34)
6.5/80 - 12"	39116018	39416018	58044804 ★	92480721 (kg.34)
6.5/80 - 15"	39116020	39416020	58042746 ★	92480721 (kg.34)



FERRARI

300 serie **PS**
PowerSafe®

WHEELS
RUEDAS

RUOTE

ROUES
RÄDER

DALLA MACCHINA
FROM THE MACHINE
DE LA MACHINE
DE LA MAQUINA
AB DER MASCHINE

★ N.

AGGIORNAMENTO
REVISION
MISE A JOUR
APLAZAMIENTO
ANPASSUNG

P01 1

11/2010

Rev.

ZENNE

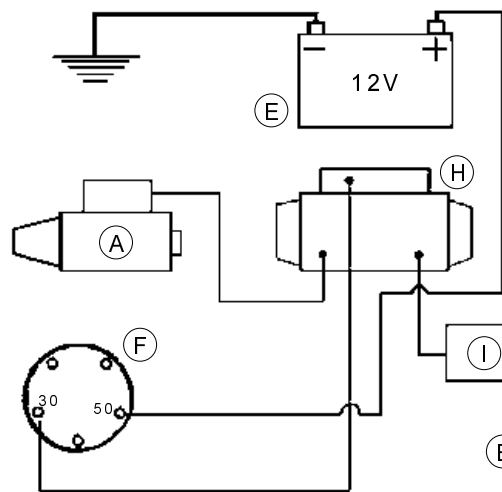
Pos.	Code	Q.ty	Description	Notes
31211100	31211100	1	NUT M10	
31312103	31312103	1	STUD BOLT M10X46X24X16	
31423105	31423105	1	SPRING WASHER 10,5	
39114008	39114008	1	TYRE 4.00-8 2PR	
39114010	39114010	1	TYRE 4.0-10 2PR	
39115010	39115010	1	TYRE 5.00-10 2PR	
39115012	39115012	1	TYRE 5.00-12 2PR	
39116018	39116018	1	TYRE 6.5/80-12 2PR	
39116020	39116020	1	TYRE 6.5/80-15 4PR	
39414008	39414008	1	INNER TUBE	
39414010	39414010	1	INNER TUBE	
39415010	39415010	1	INNER TUBE	
39415012	39415012	1	INNER TUBE	
39416018	39416018	1	INNER TUBE	
39416020	39416020	1	INNER TUBE	
53143712	53143712	1	SPACER	
58042746	58042746	1	RIM	
58043250	58043250	1	RIM	
58044804	58044804	1	RIM	
58048330	58048330	1	RIM	
58052332	58052332	1	CERCHIO 5J15 CR GIALLO RAL1003	
92249993	92249993	1	STEEL CAGE WHEELS D. 58 (PAIR)	
92480703	92480703	1	SPACER CM. 6 FOR WHEELS (PAIR)(0901012301)	
92480719	92480719	1	WEIGHTS KG. 11 FOR WHEELS 4.00-8 FOR 305/306 (PAIR)	
92480720	92480720	1	WEIGHTS KG. 15 FOR WHEELS 4.0-10 AND 5.0-10 FOR 305/306/307 (PAIR)	
92480721	92480721	1	WEIGHTS KG. 34 FOR WHEELS 5.00-12 / 6.5/80-12 (PAIR) (0901012307)	
92480757	92480757	1	CAGE WHEELS DIAM. CM. 49 FOR 306/30 (PAIR) (0901012315)	
92480758	92480758	1	ADAPTER RINGS FOR MOUNTING STEEL CAGE WHEELS CM. 49 (PAIR)	
92480836	92480836	1	STEEL CAGE WHEELS DIAM. 43 CM.	

SERIAL

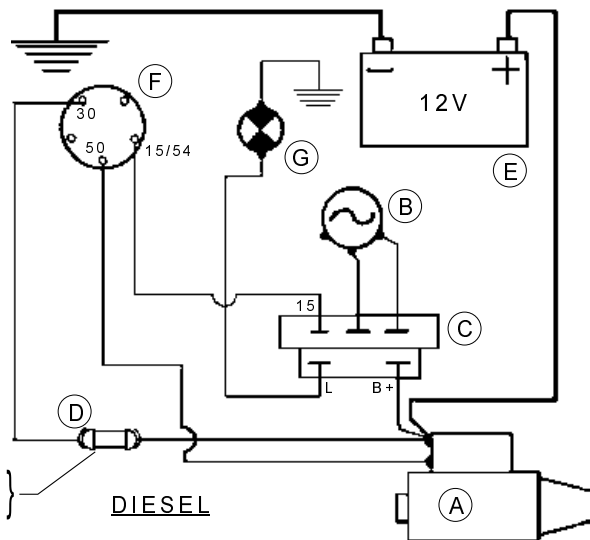
WHEELS

CODE REV

P01_1_81340

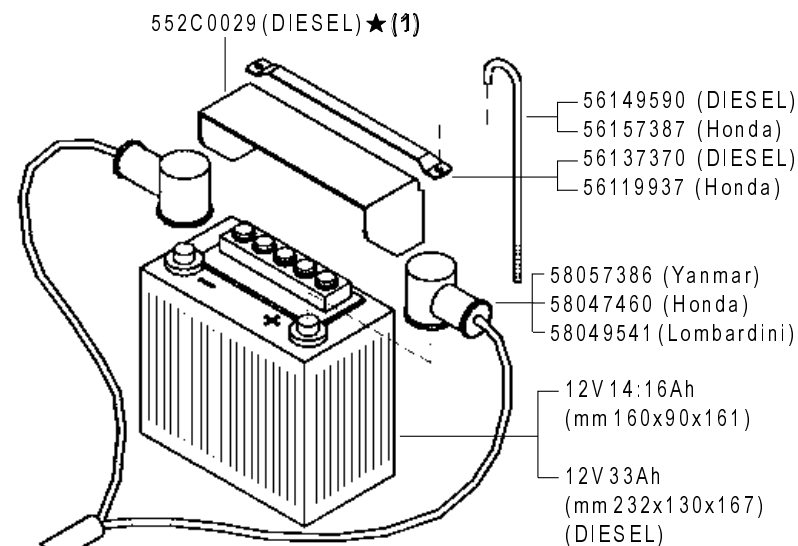


HONDA



(Yanmar) 15A
(Lombardini) 25A

DIESEL



552C0029 (DIESEL) ★(1)
56149590 (DIESEL)
56157387 (Honda)
56137370 (DIESEL)
56119937 (Honda)

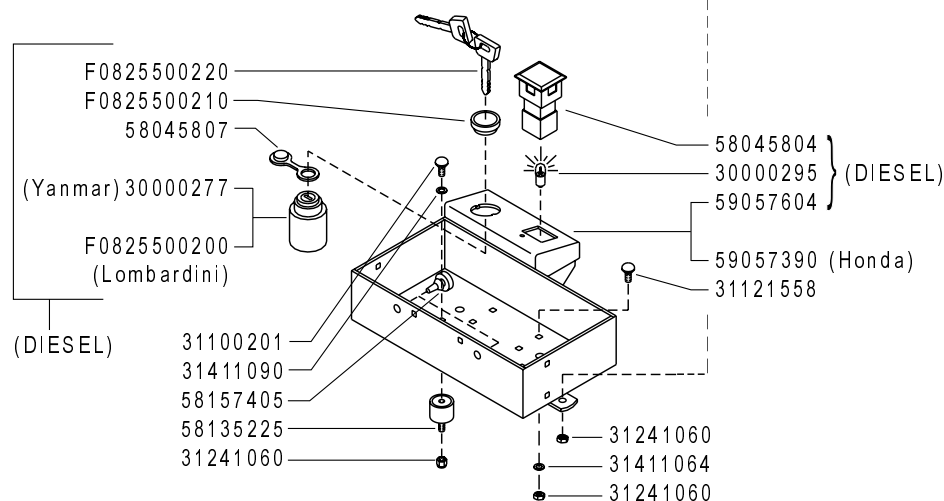
58057386 (Yanmar)
58047460 (Honda)
58049541 (Lombardini)

12V 14:16Ah
(mm 160x90x161)

12V 33Ah
(mm 232x130x167)
(DIESEL)

A	B	C	D
MOTORINO D'AVVIAMENTO STARTER DÉMARREUR MOT. DE ARRANQUE ANLASSMOTOR	GENERATORE GENERATOR GÉNÉRATEUR GENERADOR GENERATOR	REGOLATORE REGULATOR RÉGULATEUR REGULADOR REGLER	FUSIBILI FUSES FUSIBLES FUSIBLES SCHMELZSICHERUNGEN

E	F	G	H	I
BATTERIA BATTERY BATTERIE BATERIA BATERIE	INTERRUTTORE SWITCH INTERRUPTEUR INTERRUPTOR SCHALTER	SPIA CARICA BATTERIA BATTERY LONG WARN. LIGHT TEMOIN CHARG. BATTERIE LUZ CARGA BATERIA BATTERIE LADUNG KTRL. LAMPE	SOLENOIDE SOLENOID SOLÉNOÏDE SOLENOIDE SOLENOID	DIODO DIODE DIODE DIODE DIODE



F0825500220
F0825500210
58045807

(Yanmar) 30000277

F0825500200
(Lombardini)

(DIESEL)

58045804
30000295
59057604 } (DIESEL)

59057390 (Honda)
31121558

31100201
31411090
58157405
58135225
31241060
31241060
31241060
31241060

(1) sostituisce 58057610

FERRARI

300 serie PS
PowerSafe®

AVVIAMENTO ELETTRICO

ELECTRIC STARTER
ARRANQUE ELECTRICO

DÉMARRAGE ELECTRIQUE
ELEKTROSTART

DALLA MACCHINA
FROM THE MACHINE
DE LA MACHINE
DE LA MAQUINA
AB DER MASCHINE

★ N.

884219

Q01 1

05/2011

Rev.

ZENNE

Pos.	Code	Q.ty	Description	Notes
30000277	30000277	1	SWITCH	
30000295	30000295	1	LAMP	
31100201	31100201	1	SCREW TTQ M6X12 UNI 5731	
31121558	31121558	0	SCREW TTQ M6X16 UNI 5731	
31241060	31241060	1	SELFLOCK NUT M6	
31411064	31411064	1	WASHER 6,4x12,5	
31411090	31411090	1	WASHER 9x24	
552C0029	552C0029	1	COPERCHIO BATTERIA 750	
56119937	56119937	1	BATTERY SUPPORT	
56137370	56137370	1	BATTERY BRACKET	
56149590	56149590	1	BATTERY BRACKET	
56157387	56157387	1	ROD	
58045804	58045804	1	WARNING LIGHT	
58045807	58045807	1	LOCK COVER	
58047460	58047460	1	WIRING	
58049541	58049541	1	WIRING	
58057386	58057386	1	WIRING	
58135225	58135225	0	VIBRATION-DAMPING	
58157405	58157405	1	PLUG	
59057390	59057390	1	BOX	
59057604	59057604	1	BOX	
F0825500	F0825500200	1	CHANGE-OVER SWITCH	
F0825500	F0825500210	1	RING NUT	
F0825500	F0825500220	1	KEY	

SERIAL

ELECTRIC STARTER

CODE REV

Q01_1_81859



58056864



58056866



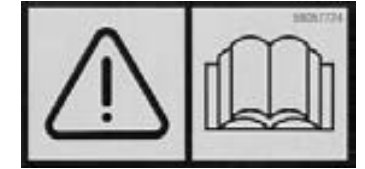
58057746



58057451



58057676



58057724



58056867



58056868



58057450



58057748



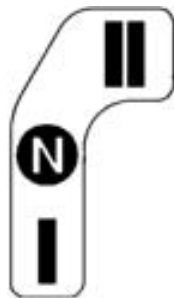
58057677



58057767



58056869



58057732



58057747



58057625



58093089



58057768

FERRARI

300 serie **PS**
PowerSafe ®

STICKERS
ADHESIVOS

ADESIVE

AUTOCOLLANTS
AUFKLEBES

DALLA MACCHINA
FROM THE MACHINE
DE LA MACHINE
DE LA MAQUINA
AB DER MASCHINE

N.

R01 0

05/2009

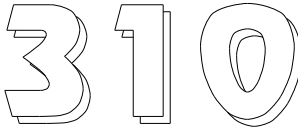
Rev.

ZENNE

Pos.	Code	Q.ty	Description	Notes
58056864	58056864	1	DECAL	
58056866	58056866	1	DECAL	
58056867	58056867	1	DECAL	
58056868	58056868	1	DECAL	
58056869	58056869	1	DECAL	
58057450	58057450	1	DECAL	
58057451	58057451	1	DECAL	
58057625	58057625	1	DECAL	
58057676	58057676	1	DECAL	
58057677	58057677	1	DECAL	
58057724	58057724	1	DECAL	
58057732	58057732	1	DECAL	
58057746	58057746	1	DECAL	
58057747	58057747	1	DECAL	
58057748	58057748	1	DECAL	
58057767	58057767	1	DECAL	
58057768	58057768	1	DECAL	
58093089	58093089	1	DECAL	

PowerSafe ®

1



6



7

EasyDrive ®

2



8



9



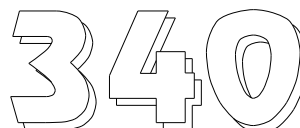
3



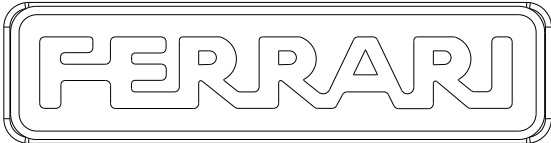
4



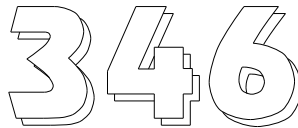
10



11



5



12



13

Pos.	Code	Q.ty	Description	Notes
1	53057666	1	MARCHIO POWERSAFE	
2	53057670	1	DECAL	
3	53052175	1	MEDIUM FERRARI BRAND	
4	530C0056	1	DECAL	
5	53052176	1	BIG FERRARI BRAND	
6	58052178	1	DECAL	
7	58052179	1	DECAL	
8	58052193	1	DECAL	
9	58052180	1	DECAL	
10	58052192	1	DECAL	
11	58052181	1	DECAL	
12	58052182	1	DECAL	
13	58052191	1	DECAL	

SPARE PARTS INSTANCE INDEX





SPARE PARTS INSTANCE INDEX

Code	Parts Table	Pos.	Q.ty	Code	Parts Table	Pos.	Q.ty	Code	Parts Table	Pos.	Q.ty
30000197	B.01.01.A0001_03	9	1	31121024	L.02.01.A0003_01	9	1	31312125	G.01.01.A0003_01	6	1
30000277	Q01_1_81859	30000277	1	31121558	Q01_1_81859	31121558	0	31411064	Q01_1_81859	31411064	1
30000295	Q01_1_81859	30000295	1	31152060	B.01.01.A0001_03	24	1	31411090	Q01_1_81859	31411090	1
30010142	M.04.01.A0003_00	21	1	31152063	B.01.01.A0001_03	1	1	31411104	M.04.01.A0003_00	16	1
31100015	F01_1_132354	31100015	1	31152085	N.01.01.A0003_01	5	1	31414130	M.04.01.A0003_00	32	1
31100023	E01_1_132337	31100023	1	31152090	E01_1_132337	31152090	1	31421083	E01_1_132337	31421083	1
31100029	E01_1_132337	31100029	1	31211080	L.02.01.A0003_01	19	1	31421100Z	J02_0_67169	31421100	1
31100031	E01_1_132337	31100031	1	31211100	I01_0_67010	31211100	1	31421101	H.04.01.A0003_00	18	1
31100201	Q01_1_81859	31100201	1		P01_1_81340	31211100	1	31421130	I01_0_67010	31421130	1
31100451	A.01.01.A0003_01	12	1	31221121	G.01.01.A0003_01	8	1	31421132	G.01.01.A0003_01	7	1
	J02_0_67169	31100451	1	31241042	L.02.01.A0003_01	5	1	31423084	F01_1_132354	31423084	1
	L.02.01.A0003_01	22	1	31241060	A.01.01.A0003_01	3	1		M.04.01.A0003_00	27	1
	M.04.01.A0003_00	6	1		K.02.01.A0003_01	13	1	31423105	I01_0_67010	31423105	1
31104022	F01_1_132354	31104022	1		Q01_1_81859	31241060	1		P01_1_81340	31423105	1
31111217	M.04.01.A0003_00	22	1	31241065	K.02.01.A0003_01	8	1	31480184	B.01.01.A0001_03	10	1
31111229	J02_0_67169	31111229	1	31241080	J02_0_67169	31241080	1		G.01.01.A0003_01	10	1
31112083	G.01.01.A0003_01	1	1		M.04.01.A0003_00	1	1	31510100	A.01.01.A0003_01	14	1
31112084	B.01.01.A0001_03	16	1	31241083	F01_1_132354	31241083	1	34110028	M.04.01.A0003_00	15	1
31112085	A.01.01.A0003_01	10	1	31241084	A.01.01.A0003_01	2	1	34211042	H.04.01.A0003_00	20	1
31112089	K.02.01.A0003_01	1	1		G.01.01.A0003_01	5	1	34213020	M.04.01.A0003_00	29	1
31112090	L.02.01.A0003_01	16	1		L.02.01.A0003_01	24	1	34213024	M.04.01.A0003_00	36	1
	N.01.01.A0003_01	3	1		M.04.01.A0003_00	17	1	34213060	H.04.01.A0003_00	22	1
31112099	D.01.01.A0001_02	2	1	31241100	J02_0_67169	31241100	1	34213061	H.04.01.A0003_00	24	1
31112152	M.04.01.A0003_00	28	1		M.04.01.A0003_00	19	1	34221040	B.01.01.A0001_03	5	1
31112154	A.01.01.A0003_01	1	1	31241120	I01_0_67010	31241120	1	34311060	I01_0_67010	34311060	1
31112165	J02_0_67169	31112165	1	31241126	J02_0_67169	31241126	1	35111029	E01_1_132337	35111029	1
31112166	I01_0_67010	31112166	1	31312073	F01_1_132354	31312073	1	35111052	H.04.01.A0003_00	31	1
31112167	I01_0_67010	31112167	1	31312082	G.01.01.A0003_01	13	1		I01_0_67010	35111052	1
31112171	A.01.01.A0003_01	4	1		M.04.01.A0003_00	14	1	35111055	H.04.01.A0003_00	8	1
31112211	H.04.01.A0003_00	17	1	31312086	G.01.01.A0003_01	11	1	35121031	H.04.01.A0003_00	6	1
31112293	J02_0_67169	31112293	1	31312094	G.01.01.A0003_01	3	1	35211050	B.01.01.A0001_03	17	1
31121008	A.01.01.A0003_01	7	1	31312097	F01_1_132354	31312097	1	35211060	B.01.01.A0001_03	15	1
31121020	K.02.01.A0003_01	21	1	31312102	I01_0_67010	31312102	1	35211120	H.04.01.A0003_00	36	1
	L.02.01.A0003_01	26	1	31312103	P01_1_81340	31312103	1	37111150	H.04.01.A0003_00	1	1



SPARE PARTS INSTANCE INDEX

Code	Parts Table	Pos.	Q.ty	Code	Parts Table	Pos.	Q.ty	Code	Parts Table	Pos.	Q.ty
37111152	H.04.01.A0003_00	35	1	39415012	P01_1_81340	39415012	1	53143875V	G.01.01.A0003_01	18	1
37111250	I01_0_67010	37111250	1	39416018	P01_1_81340	39416018	1	53156203V	G.01.01.A0003_01	16	1
37111255	H.04.01.A0003_00	26	1	39416020	P01_1_81340	39416020	1	53156205	F01_1_132354	53156205	1
37112229	H.04.01.A0003_00	7	1	51156214	B.01.01.A0001_03	2	1	53156206	F01_1_132354	53156206	1
37141253	C.01.01.A0001_02	7	1	52156810Z	L.02.01.A0003_01	30	1	53156207	F01_1_132354	53156207	1
37161500	C.01.01.A0001_02	3	1	52156825N	I01_0_67010	52156825	1	53156209	D.01.01.A0001_02	3	1
37320120	H.04.01.A0003_00	14	1	52156917	J02_0_67169	52156917	1	53156210	C.01.01.A0001_02	8	1
37910832	H.04.01.A0003_00	12	1	52357250	M.04.01.A0003_00	30	1	53156218	C.01.01.A0001_02	10	1
37911532	M.04.01.A0003_00	13	1	52456217	B.01.01.A0001_03	3	1	53156332V	G.01.01.A0003_01	4	1
38110675	E01_1_132337	38110675	1	52456220	B.01.01.A0001_03	20	1	53156659	D.01.01.A0001_02	3	1
38110873	D.01.01.A0001_02	4	1	52456223	B.01.01.A0001_03	4	1	53156826N	I01_0_67010	53156826	1
	F01_1_132354	38110873	1	52456233	E01_1_132337	52456233	1	53156860	L.02.01.A0003_01	13	1
38111191	M.04.01.A0003_00	31	1	52456234	E01_1_132337	52456234	1	532C0055	F01_1_132354	532C005	1
38111872	E01_1_132337	38111872	1	52456236	F01_1_132354	52456236	1	54143090	I01_0_67010	54143090	1
38118859	C.01.01.A0001_02	1	1	52456237	F01_1_132354	52456237	1	55102678	G.01.01.A0003_01	14	1
38119823	F01_1_132354	38119823	1	52456243	E01_1_132337	52456243	1	55157212	J02_0_67169	55157212	1
38120500	C.01.01.A0001_02	9	1	52456245	E01_1_132337	52456245	1		L.02.01.A0003_01	14	1
38140850	C.01.01.A0001_02	11	1	52456335	H.04.01.A0003_00	10	1		M.04.01.A0003_00	8	1
38211400	B.01.01.A0001_03	19	1	52456339	H.04.01.A0003_00	34	1	55157213	J02_0_67169	55157213	1
	M.04.01.A0003_00	12	1	52456349	H.04.01.A0003_00	19	1		L.02.01.A0003_01	21	1
38212500	F01_1_132354	38212500	1	52456370	H.04.01.A0003_00	3	1		M.04.01.A0003_00	7	1
38212502	I01_0_67010	38212502	1	52456389	H.04.01.A0003_00	23	1	55157214	L.02.01.A0003_01	31	1
38213202	F01_1_132354	38213202	1	52456390	H.04.01.A0003_00	25	1	55157215	L.02.01.A0003_01	29	1
38213500	F01_1_132354	38213500	1	52456694	C.01.01.A0001_02	6	1	55242528	M.04.01.A0003_00	4	1
38213800	H.04.01.A0003_00	9	1	52456706	H.04.01.A0003_00	5	1	55243340	J02_0_67169	55243340	1
39114008	P01_1_81340	39114008	1	52456732	H.04.01.A0003_00	32	1	55248379	M.04.01.A0003_00	37	1
39114010	P01_1_81340	39114010	1	52456733	H.04.01.A0003_00	33	1	55252405	A.01.01.A0003_01	17	1
39115010	P01_1_81340	39115010	1	53052175	R.02.01.A0003_02	3	1	55252406	A.01.01.A0003_01	16	1
39115012	P01_1_81340	39115012	1	53052176	R.02.01.A0003_02	5	1	55252503	A.01.01.A0003_01	15	1
39116018	P01_1_81340	39116018	1	53057666	R.02.01.A0003_02	1	1	55256185	K.02.01.A0003_01	7	1
39116020	P01_1_81340	39116020	1	53057670	R.02.01.A0003_02	2	1	55256197	L.02.01.A0003_01	10	1
39414008	P01_1_81340	39414008	1	530C0056	R.02.01.A0003_02	4	1	55256228	B.01.01.A0001_03	13	1
39414010	P01_1_81340	39414010	1	53143128V	G.01.01.A0003_01	18	1	55256835	L.02.01.A0003_01	2	1
39415010	P01_1_81340	39415010	1	53143712	P01_1_81340	53143712	1	55256836	L.02.01.A0003_01	1	1



SPARE PARTS INSTANCE INDEX

Code	Parts Table	Pos.	Q.ty	Code	Parts Table	Pos.	Q.ty	Code	Parts Table	Pos.	Q.ty
55257313	M.04.01.A0003_00	25	1	56343058	I01_0_67010	56343058	1	58045807	Q01_1_81859	58045807	1
55257321	M.04.01.A0003_00	34	1	56347870Z	E01_1_132337	56347870	1	58047460	Q01_1_81859	58047460	1
55257522	A.01.01.A0003_01	13	1	56347873	E01_1_132337	56347873	1	58047712	L.02.01.A0003_01	7	1
552C0029	Q01_1_81859	552C002	1	56356184Z	K.02.01.A0003_01	5	1	58048000	K.02.01.A0003_01	6	1
56119937	Q01_1_81859	56119937	1	56356216	C.01.01.A0001_02	2	1	58048009	L.02.01.A0003_01	4	1
56137370	Q01_1_81859	56137370	1	56356239	F01_1_132354	56356239	1	58048214	N.01.01.A0003_01	2	1
56143059	I01_0_67010	56143059	1	56356240	F01_1_132354	56356240	1	58048215	N.01.01.A0003_01	7	1
56147520Z	G.01.01.A0003_01	2	1	56356242	B.01.01.A0001_03	28	1	58048330	P01_1_81340	58048330	1
56148218N	N.01.01.A0003_01	1	1	56356328	H.04.01.A0003_00	30	1	58049505	L.02.01.A0003_01	33	1
56148287	L.02.01.A0003_01	6	1	56356329	H.04.01.A0003_00	29	1	58049541	Q01_1_81859	58049541	1
56148470N	K.02.01.A0003_01	4	1	56356330	H.04.01.A0003_00	28	1	58049830	L.02.01.A0003_01	28	1
56149590	Q01_1_81859	56149590	1	56356331	H.04.01.A0003_00	27	1	58050345	K.02.01.A0003_01	3	1
56156224	B.01.01.A0001_03	23	1	56356348	H.04.01.A0003_00	16	1	58052178	R.02.01.A0003_02	6	1
56156246N	A.01.01.A0003_01	6	1	56356661	B.01.01.A0001_03	22	1	58052179	R.02.01.A0003_02	7	1
56156247	C.01.01.A0001_02	4	1	56356738Z	M.04.01.A0003_00	3	1	58052180	R.02.01.A0003_02	9	1
56156276	F01_1_132354	56156276	1	56356833Z	L.02.01.A0003_01	11	1	58052181	R.02.01.A0003_02	11	1
56156281	F01_1_132354	56156281	1	56356840Z	L.02.01.A0003_01	15	1	58052182	R.02.01.A0003_02	12	1
56156288Z	E01_1_132337	56156288	1		N.01.01.A0003_01	4	1	58052191	R.02.01.A0003_02	13	1
56156603Z	K.02.01.A0003_01	2	1	56356858Z	L.02.01.A0003_01	12	1	58052192	R.02.01.A0003_02	10	1
56156658	B.01.01.A0001_03	26	1	56356924	J02_0_67169	56356924	1	58052193	R.02.01.A0003_02	8	1
56156734H	M.04.01.A0003_00	18	1	56456347	H.04.01.A0003_00	15	1	58052332	P01_1_81340	58052332	1
56156792N	M.04.01.A0003_00	5	1	56456657	B.01.01.A0001_03	25	1	58056154	K.02.01.A0003_01	17	1
56156827N	I01_0_67010	56156827	1	56456736	H.04.01.A0003_00	13	1	58056155	K.02.01.A0003_01	17	1
56156832Z	L.02.01.A0003_01	23	1	56556213	C.01.01.A0001_02	5	1	58056186Z	K.02.01.A0003_01	10	1
56156834Z	L.02.01.A0003_01	8	1	56556282	E01_1_132337	56556282	1	58056190	K.02.01.A0003_01	12	1
56156859Z	L.02.01.A0003_01	27	1	58002538	K.02.01.A0003_01	15	1	58056191	K.02.01.A0003_01	14	1
56156874N	K.02.01.A0003_01	16	1	58042746	P01_1_81340	58042746	1	58056193	K.02.01.A0003_01	19	1
56156940	J02_0_67169	56156940	1	58043053	G.01.01.A0003_01	12	1	58056208	D.01.01.A0001_02	1	1
56156948N	J02_0_67169	56156948	1	58043086	H.04.01.A0003_00	21	1	58056221	B.01.01.A0001_03	21	1
56157257Z	M.04.01.A0003_00	11	1	58043117	G.01.01.A0003_01	17	1	58056222	B.01.01.A0001_03	12	1
56157274	M.04.01.A0003_00	26	1	58043176	M.04.01.A0003_00	10	1	58056391	H.04.01.A0003_00	11	1
56157324N	M.04.01.A0003_00	35	1	58043250	P01_1_81340	58043250	1	58056593	K.02.01.A0003_01	11	1
56157387	Q01_1_81859	56157387	1	58044804	P01_1_81340	58044804	1	58056595	L.02.01.A0003_01	18	1
56157399	A.01.01.A0003_01	9	1	58045804	Q01_1_81859	58045804	1	58056683	B.01.01.A0001_03	27	1



SPARE PARTS INSTANCE INDEX

Code	Parts Table	Pos.	Q.ty
58056811	K.02.01.A0003_01	18	1
58056812	K.02.01.A0003_01	18	1
58056837	L.02.01.A0003_01	3	1
58056843	L.02.01.A0003_01	17	1
58056848	L.02.01.A0003_01	32	1
58056864	R01_0_67594	58056864	1
58056866	R01_0_67594	58056866	1
58056867	R01_0_67594	58056867	1
58056868	R01_0_67594	58056868	1
58056869	R01_0_67594	58056869	1
58056918	J02_0_67169	58056918	1
58056942N	J02_0_67169	58056942	1
58056991	A.01.01.A0003_01	8	1
	J02_0_67169	58056991	1
58057232Z	M.04.01.A0003_00	2	1
58057266	A.01.01.A0003_01	5	1
58057273	M.04.01.A0003_00	24	1
58057386	Q01_1_81859	58057386	1
58057450	R01_0_67594	58057450	1
58057451	R01_0_67594	58057451	1
58057625	R01_0_67594	58057625	1
58057676	R01_0_67594	58057676	1
58057677	R01_0_67594	58057677	1
58057724	R01_0_67594	58057724	1
58057732	R01_0_67594	58057732	1
58057746	R01_0_67594	58057746	1
58057747	R01_0_67594	58057747	1
58057748	R01_0_67594	58057748	1
58057767	R01_0_67594	58057767	1
58057768	R01_0_67594	58057768	1
58093089	R01_0_67594	58093089	1
580C0041	B.01.01.A0001_03	7	1
58135225	Q01_1_81859	58135225	0
58150313	K.02.01.A0003_01	9	1

Code	Parts Table	Pos.	Q.ty
58157405	Q01_1_81859	58157405	1
58170021	B.01.01.A0001_03	6	1
59048200N	N.01.01.A0003_01	6	1
59048208	N.01.01.A0003_01	8	1
59053021H	A.01.01.A0003_01	11	1
59053040H	A.01.01.A0003_01	11	1
59056127H	A.01.01.A0003_01	11	1
59056225Z	B.01.01.A0001_03	14	1
59056248	G.01.01.A0003_01	9	1
59056298Z	B.01.01.A0001_03	18	1
59056672	G.01.01.A0003_01	15	1
59056707	H.04.01.A0003_00	4	1
59056730	H.04.01.A0003_00	2	1
59056735N	M.04.01.A0003_00	9	1
59056793N	J02_0_67169	59056793	1
59056820N	J02_0_67169	59056820	1
59056830	I01_0_67010	59056830	1
59056920	M.04.01.A0003_00	20	1
59057010N	J02_0_67169	59057010	1
59057319	M.04.01.A0003_00	23	1
59057390	Q01_1_81859	59057390	1
59057604	Q01_1_81859	59057604	1
59256035	D.01.01.A0001_02	5	1
59256036	D.01.01.A0001_02	5	1
59256037	D.01.01.A0001_02	5	1
59256038	D.01.01.A0001_02	5	1
59256039	D.01.01.A0001_02	5	1
59256175	K.02.01.A0003_01	20	1
59256180	L.02.01.A0003_01	20	1
59256200	B.01.01.A0001_03	11	1
59256693	C.01.01.A0001_02	12	1
59256850	L.02.01.A0003_01	25	1
92249993	P01_1_81340	92249993	1
92480703	P01_1_81340	92480703	1

Code	Parts Table	Pos.	Q.ty
92480719	P01_1_81340	92480719	1
92480720	P01_1_81340	92480720	1
92480721	P01_1_81340	92480721	1
92480757	P01_1_81340	92480757	1
92480758	P01_1_81340	92480758	1
92480836	P01_1_81340	92480836	1
F0803067000	F01_1_132354	F0803067	1
F0803075500	F01_1_132354	F0803075	1
F0825500200	Q01_1_81859	F0825500	1
F0825500210	Q01_1_81859	F0825500	1
F0825500220	Q01_1_81859	F0825500	1
F0831193010	M.04.01.A0003_00	33	1
F0844273090	B.01.01.A0001_03	8	1